

# THE ULTIMATE HEATING EXPERIENCE

- ✂ Part L Compliant SedBUK Band C.
- ✂ Based on the well proven 'S' Range designs.
- ✂ Flexible output which can be adjusted to match actual heating requirements within its output range.
- ✂ Simplified pipework layout. Front service access to all main components.
- ✂ Traditional Firebird operating quietness.
- ✂ Sealed system installation.
- ✂ No time-wasting attic pipework
- ✂ Designed to comply with European Energy Efficiency Directive covered by OFTEC standards OFS A 100 (EN303 Part 4.)
- ✂ Quality Assured manufacture to ISO 9002. Approved OFTEC Member
- ✂ All Firebird oil boilers have a 2 year comprehensive warranty which extends to 5 years on the boiler shell.



For further information on all Firebird products please contact:

#### FIREBIRD BOILERS

Ballymakeera, Co. Cork.  
Tel: [+353] 026 45253 Fax: [+353] 026 45309

#### FIREBIRD PRODUCTS

Shean, Forkhill, Newry. BT35 9SY.  
Tel: [+44] 028 30888330 Fax: [+44] 028 30889096

#### FIREBIRD UK

Unit 6, Westover Industrial Estate,  
Ivybridge, Devon PL 21 9 ES.  
Tel: [+44] 01 752 691177 Fax: [+44] 01 752 691131

Int. Access Codes: Eg. N.I. +44 28 30888330

# FIREBIRD



### TECHNICAL SPECIFICATION System Range

TOTAL OUTPUT:	50,000 to 120,000 Btu/h (120/150 Special Order)
BURNER:	RIELLO RDB & G5X, ECOFLAM, or STERLING.
ELECTRICAL SUPPLY:	230v 50Hz Fused at 5 Amp
FLUE:	4" or 5" Int. Dia. Conventional Flue (50/90) 5" O. Dia. Balanced Flue (50/90) 5" or 6" Int. Dia. Conventional Flue (120/150) 6" O. Dia. Balanced Flue (120/150)
MAX HEARTH TEMP	LOWER THAN 50°C
SEALED HEATING SYSTEM	Maximum operating pressure 2.5 Bar Minimum system pressure (cold) 0.5 Bar Maximum system pressure (cold) 1.5 Bar

Expansion vessel fitted inside boiler casing

N.B. Additional expansion vessel may be needed dependent on system water volume. Please carefully consult Firebird installation manual or appropriate training manuals.

#### SYSTEM CONNECTING PIPES

Heating flow	22mm (28mm - 90-120)
Heating return	22mm (28mm - 90-120)
Mains cold water boiler connection for filling loop	15mm
Safety pressure relief Valve outlet	15mm
All boiler connections are valved for copper pipe	BS 2871 COPPER PIPE

#### THERMOSTATS

Boiler central heating control thermostat adjustable	65°C - 85°C
Boiler Safety Limit Thermostat	110°C

Boilers must be installed, commissioned and serviced by qualified and experienced OFTEC approved personnel (U.K. only). It should be noted that it is the responsibility of the installer to ensure that the boiler is properly commissioned. Failure to do so may invalidate the boiler guarantee and any extended warranty.

AFTER SALES SERVICE Firebird provides an after sales service through a nationwide network of independent service engineers. When necessary contact should be made with your installer or with our customer service dept.

© Copyright applies to all FIREBIRD products. Our policy is one of continual development and we therefore reserve the right to change without prior notice the specification of our products at any time and be without obligation to make similar changes in products previously produced.

E.&O.E.

Revision 3 © 23 04 04

# FIREBIRD

## TECHNOLOGY OF THE FUTURE TODAY



THE ULTIMATE HEATING EXPERIENCE

## System Oil Boiler Range

CONVENTIONAL & BALANCED FLUE



### PRODUCT CONFIDENCE

Confidence in our product allows us to guarantee our boiler shell for five years when installed correctly and without system leaks. All other component parts not manufactured by us are guaranteed for two years.

### OPERATING CONTROL

The boiler itself is controlled by a standard thermostat which is variable between approx 65°C & 85°C boiler water temp. This allows temperature adjustment of central heating water. It is however recommended that room temperature be controlled by thermostatic radiator valves or by electric room thermostat. A boiler safety limit thermostat is also fitted to the boiler.

### CONTROL AND FRONT PANEL

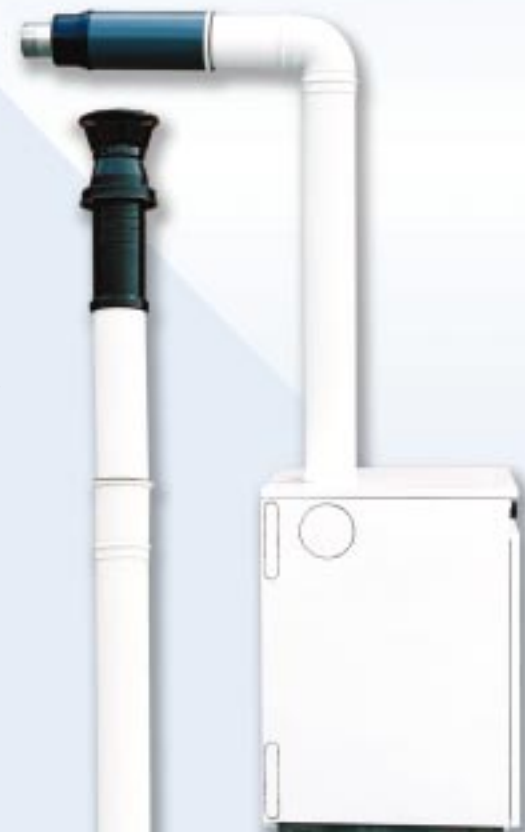
The control panel is designed for simplicity of use and is equipped with adjustable thermostat knob. It also has a built in system pressure gauge which is connected to the boiler and heating system water at the safety valve.

### INSTALLATION AND MAINTENANCE CONVENIENCE

The Firebird System Oil Boiler has been carefully designed for installation and maintenance convenience both from the householders, the installers and the service technician points of view. All major components and connections are conveniently arranged for total access. We regard this as vitally necessary when it comes to time saving maintenance.

### INSTALLATION REQUIREMENTS

Installation must comply with appropriate current Irish and British standards and Building regulations or standards of country in which boiler is installed. Technical information guidance is available in manual supplied with boiler. This information should be studied and applied during installation.



High Level Balanced Flue

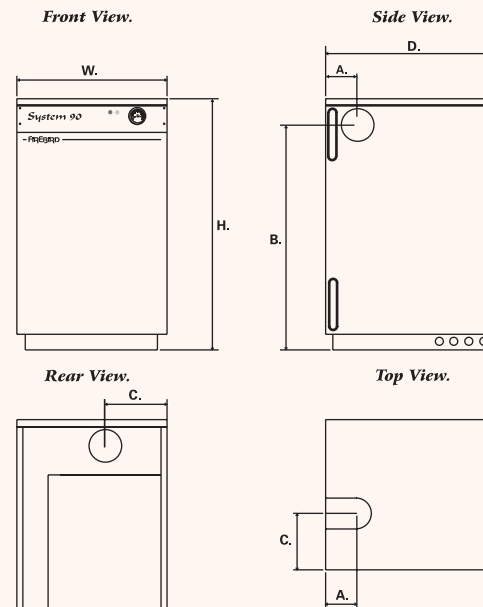


Vertical Balanced Flue



Standard Balanced Flue

### SYSTEM RANGE DIMENSIONS



	50/70	70/90
H.	840mm	840mm
W.	505mm	505mm
D.	600mm	600mm
A.	155mm	155mm
B.	735mm	735mm
C.	190mm	190mm

	90/120	120/150
H.	840mm	1050mm
W.	545mm	560mm
D.	600mm	705mm
A.	155mm	175mm
B.	735mm	930mm
C.	220mm	225mm

	50/70-70/90	90/120	120/150
Mains Feed & Safety Valve	15mm Copper	15mm Copper	15mm Copper
C.H. Flow	22mm Copper	28mm Copper	1/4" BSP
C.H. Return	22mm Copper	28mm Copper	1/2" BSP
Pressure Vessel Size	10 Litres   12 Litres	14 Litres	18 Litres

### SYSTEM HEAT PAC RANGE 70/90 • 90/120 • 120/150

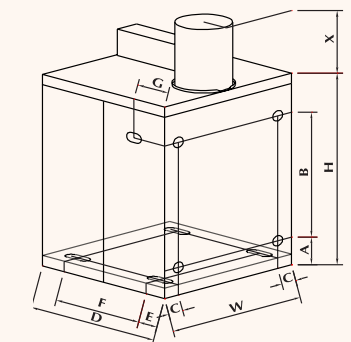


Heat Pac - Outline Dimensions

MODEL	D	W	H	X
70/90	625	655	945	310
90/120	625	710	945	340
120/150	690	720	1010	340

Heat Pac - Plumbing Access Point Dimensions

MODEL	A	B	C	E	F	G
70/90	170	575	80	100	420	175
90/120	170	575	80	100	420	175
120/150	170	575	80	180	475	185



### SLIMLINE HEAT PAC RANGE 50/70 • 70/90



Slimline - Outline Dimensions

MODEL	D	W	H
50/70	410	760	925
70/90	410	760	925

Slimline - Plumbing Access Point Dimensions

MODEL	A	B	C
50/70	140	230	115
70/90	140	230	115

