

DIESEL BOILER FLUES

Directs fumes away from our boiler

Diesel Boiler Flues Information

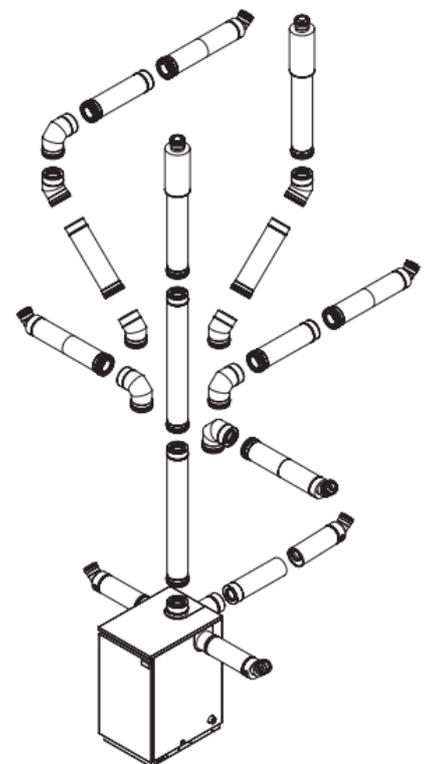
- Designed and manufactured to EN 304.
- Zero Clearance compliance in accordance with AS1691, section 5.2.4, Note 1
- Manufacturing with 1.2mm gauge 304 stainless steel.
- Balanced (Coaxial) Flue design as standard for ease of installation and boiler efficiency.
- Plume Dispersal kit available for removal of exhaust plume in certain cases when installing a condensing boiler
- Low Level, High level horizontal or vertical flue kits available
- Flues can be installed up to 6m in height vertically or 3m horizontally. Contact Central Heating New Zealand for advise outside this range

- Range of stainless steel flues suitable to Firebird Boilers
- Easy installation with spigot/socket connections
- Range of options available to suit installations needs

While there are several possible flue configurations, it is important to have the correct one depending on the boiler location and outdoor surroundings.

Please contact Central Heating New Zealand for clarification on most suitable configuration for your project.

PRODUCT CODE	PART NAME	PAGE
FBFLV	125 mm Vertical Flue Kit	2
FBFLHHL	125mm Horizontal High Level Kit	3
FBFLHLL	125mm Horizontal Low Level Kit	4
FBFLHLLC	125mm Horizontal Low Level Condensing Kit	5



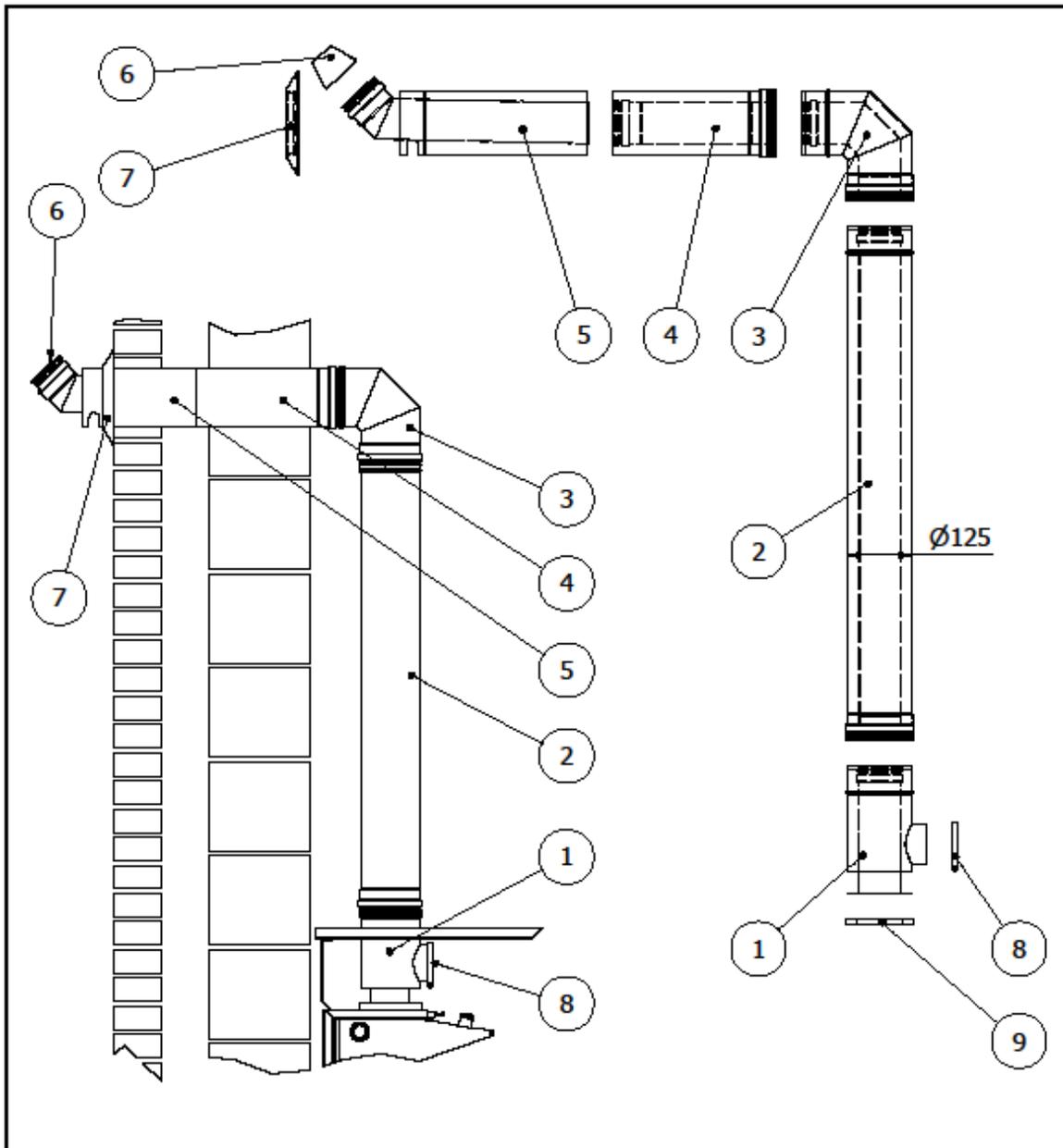
The following flue is suitable for FB90SS, FB120SS (Firebird 90 & 120 System Boilers) and FBE26, FBE35 (Firebird Enviromax System Condensing 26kW and 35kW).

Parts List		
Item	Part name	Qty
1	Boiler base adapter	1
2	1000mm length	2
3	1000mm terminal section	1
4	Cone	1
5	Storm collar	1
6	Jubilee clip	1
7	Wall bracket	2
8	80mm cowl	1
9	Gasket seal	1

Note: Items 8 and 9 - only for non condensing boilers
Item 4 - only for condensing boilers

Part Name	 CENTRAL HEATING NEW ZEALAND Office: 52 Pilkington Way, Wigram, Christchurch 8042 Postal: PO Box 31-274, Christchurch 8444 P: 0800 357 1233 F: 033 343 1236
CHNZ Product Code	
FBFLV	
Proprietary note THE USE DUPLICATION OR DISCLOSURE OF THIS DATA (IN WHOLE OR IN PART) FOR ANY PURPOSE WITHOUT THE WRITTEN PERMISSION OF CENTRAL HEATING NEW ZEALAND IS STRICTLY PROHIBITED	

The following flue is suitable for FB90SS, FB120SS (Firebird 90 & 120 System Boilers) and FBE26, FBE35 (Firebird Enviromax System Condensing 26kW and 35kW).



Parts List		
Item	Part name	Qty
1	Boiler base adapter	1
2	1000mm length	1
3	90° bend	1
4	312mm length	1
5	Terminal section	1
6	Cone	1
7	Wall seal	1
8	Jubilee clip	1
9	Gasket seal	1

Note: Item 9 - only for non condensing boilers

Part Name
**125 mm Horizontal High
 Level Condensing Kit**
 CHNZ Product Code

FBFLHHL



Central Heating
 NEW ZEALAND

CENTRAL HEATING NEW ZEALAND

Office: 52 Pilkington Way, Wigram, Christchurch 8042
 Postal: PO Box 31-274, Christchurch 8444
 P: 0800 357 1233
 F: 033 343 1236

Proprietary note

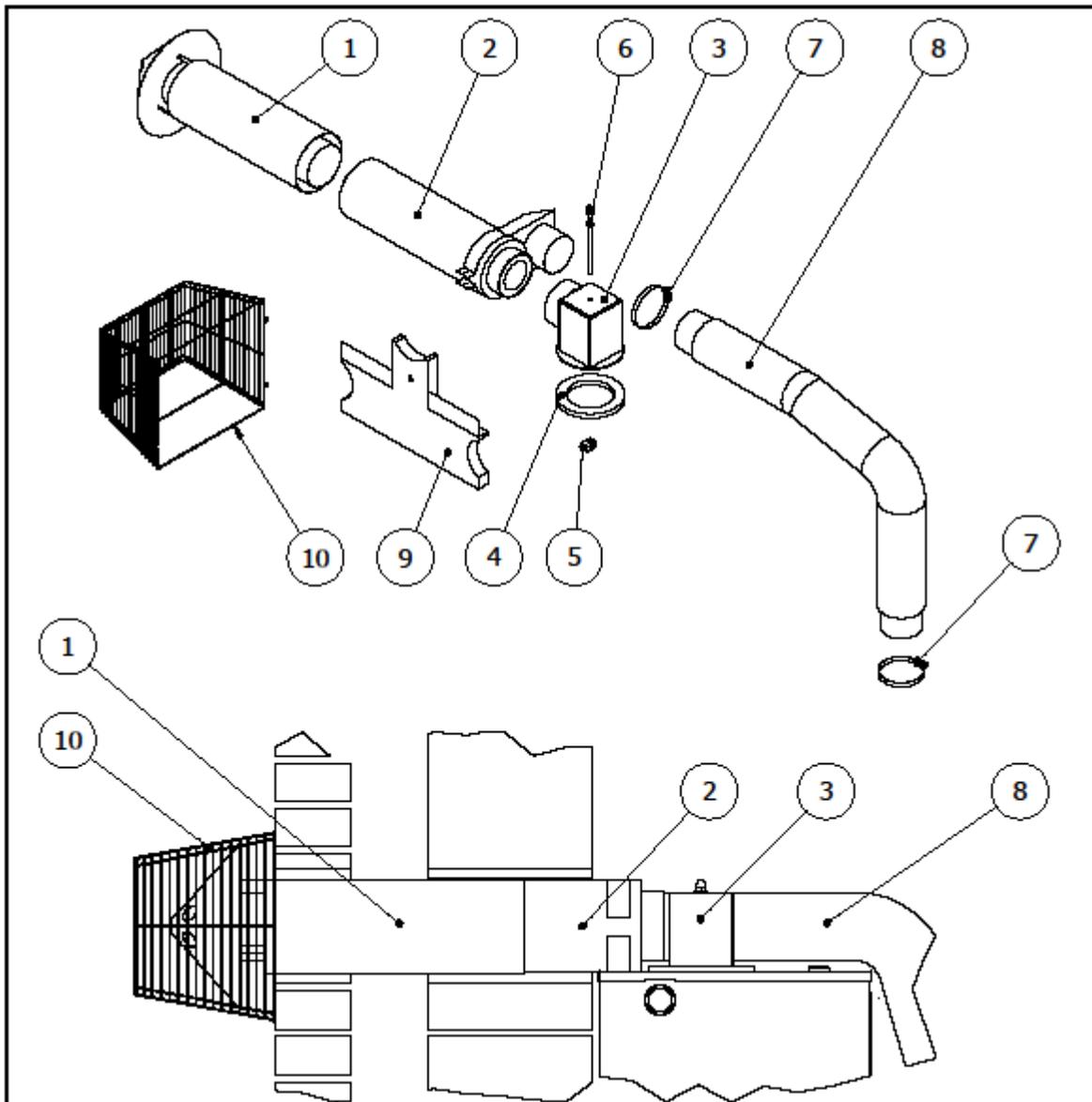
THE USE, DUPLICATION OR DISCLOSURE OF THIS DATA (IN WHOLE OR IN PART) FOR ANY PURPOSE WITHOUT THE WRITTEN PERMISSION OF CENTRAL HEATING NEW ZEALAND IS STRICTLY PROHIBITED



Central Heating
 NEW ZEALAND

P: 0800 357 1233 E: info@centralheating.co.nz W: www.centralheating.co.nz

The following flue is suitable for FB90SS, FB120SS (Firebird 90 & 120 System Boilers).



Parts List		
Item	Part name	Qty
1	Terminal section	1
2	Boiler section	1
3	Boiler flue adapter	1
4	Gasket seal	1
5	M8 lug nut	1
6	Bolt M8x160	1
7	Jubilee clip	2
8	Burner air hose	1
9	Boiler flue adapter lagging	1
10	Terminal guard	1

Part Name 125 mm Horizontal Low Level Kit	CHNZ Product Code <h2 style="text-align: center;">FBFLHLL</h2>	 CENTRAL HEATING NEW ZEALAND Office: 52 Pilkington Way, Wigram, Christchurch 8042 Postal: PO Box 31-274, Christchurch 8444 P: 0800 357 1233 F: 033 343 1236 <small>Proprietary note THE USE DUPLICATION OR DISCLOSURE OF THIS DATA (IN WHOLE OR IN PART) FOR ANY PURPOSE WITHOUT THE WRITTEN PERMISSION OF CENTRAL HEATING NEW ZEALAND IS STRICTLY PROHIBITED</small>
---	---	---

The following flue is suitable for FBE26, FBE35 (Firebird Enviromax System Condensing 26kW and 35kW).

Parts List		
Item	Part name	Qty
1	Boiler adapter section	1
2	Terminal section	1
3	Venturi	1
4	Jubilee clip	1
5	Wall seal	1
6	Flue deflector	1
7	Terminal guard	1

Part Name 125 mm Horizontal Low Level Condensing Kit CHNZ Product Code FBFLHLLC	 CENTRAL HEATING NEW ZEALAND Office: 52 Pilkington Way, Wigram, Christchurch 8042 Postal: PO Box 31-274, Christchurch 8444 P: 0800 357 1233 F: 033 343 1236 Proprietary note THE USE DUPLICATION OR DISCLOSURE OF THIS DATA (IN WHOLE OR IN PART) FOR ANY PURPOSE WITHOUT THE WRITTEN PERMISSION OF CENTRAL HEATING NEW ZEALAND IS STRICTLY PROHIBITED
--	--

** Need to add 1 x FBSPWPK (80mm Plume Dispersal Kit) to FBFLHLLC