

DATA	17/09/2020
CUSTOMER	
REFERENCE	

<b>Exchanger model</b>		<b>P4-14 F-F</b>
Number of circuits		1/1
Requested capacity	kW	34,6
Margin	%	203,2
PED category		---

INPUT DATA		PRIMARY SIDE	SECONDARY SIDE
<b>Fluid</b>		<b>WATER</b>	<b>WATER</b>
Inlet Temperature	°C	<b>80</b>	38
Outlet Temperature	°C	<b>60</b>	53,69
Flow rate	l/h - l/h	<b>1520,17</b>	1918,56
Pressure drop	kPa	<b>23,0</b>	28,9
Fouling factor	(m <sup>2</sup> K)/W	<b>0</b>	0
Velocity (Inside)	m/s	0,32	0,35
Exchange coefficient	W/(m <sup>2</sup> K)	44095	40278
DTML	°C		24,09

**WARNING**

No warnings

**DIMENSIONS**

Surface	m <sup>2</sup>	0,3000	
Weight	kg	4	
Channel volume	dm <sup>3</sup>	0,6	
Height	mm	310	
Width	mm	111	
Depth	mm	42,6	
Connections	mm	1" G	1" G

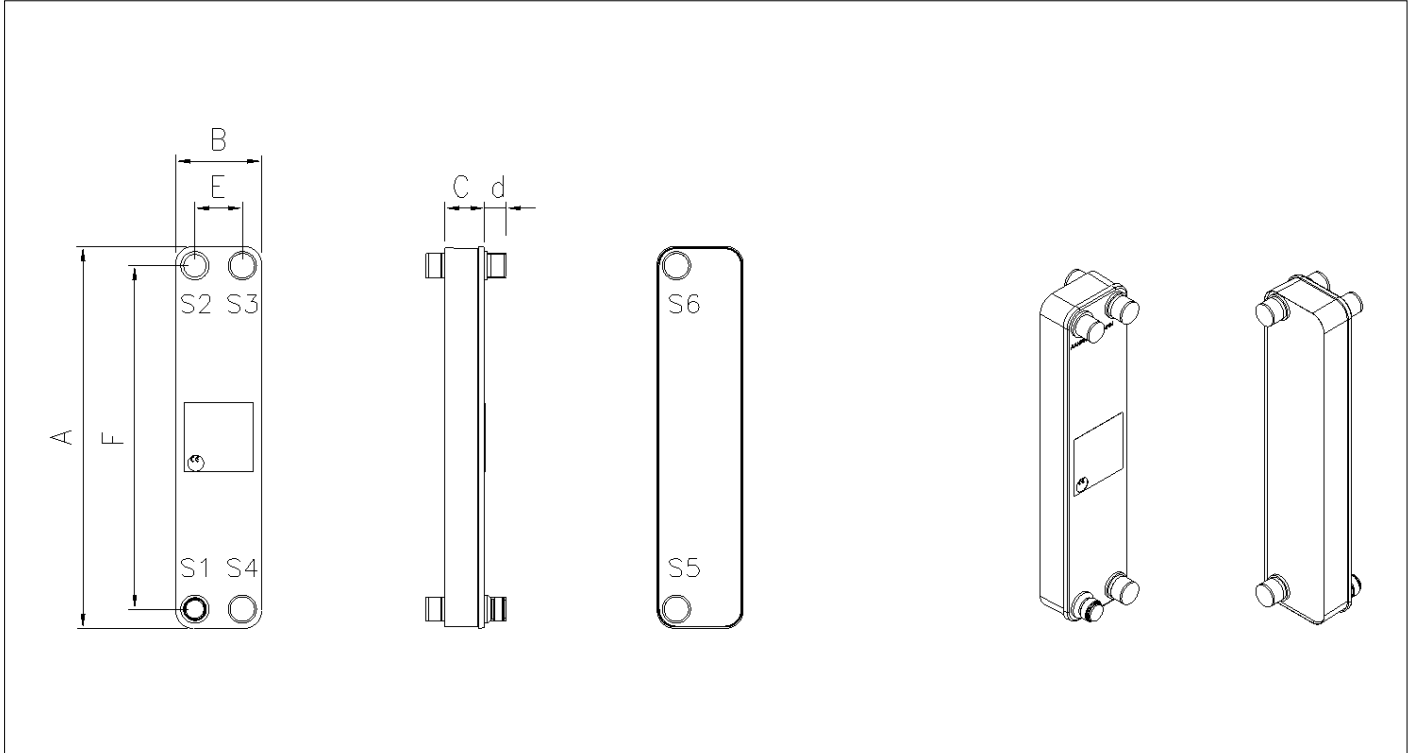
**OFFER**

Unit net price	Euro	
----------------	------	--

**NOTES**

--

DATA	17/09/2020
CUSTOMER	
REFERENCE	

**DRAWING**

**DIMENSIONS (mm)**
**DATA**

Dimension	Value	Label	Unit	Property	Unit	Value
A	310	S1	1" G	Surface	m <sup>2</sup>	0,3000
B	111	S2	1" G	Weight	kg	4
C	42,6	S3	1" G			
E	50	S4	1" G			
F	250	S5	1" G			
G	--	S6	1" G			
d	24	S7	--			
		S8	--			