

DATA	17/09/2020
CUSTOMER	
REFERENCE	

Exchanger model		P4-14 F-F
Number of circuits		1/1
Requested capacity	kW	10,11
Margin	%	81,3
PED category		---

INPUT DATA		PRIMARY SIDE	SECONDARY SIDE
Fluid		WATER	WATER
Inlet Temperature	°C	50	38
Outlet Temperature	°C	45	45,92
Flow rate	l/h - l/h	1760,26	1108,97
Pressure drop	kPa	32,3	10,8
Fouling factor	(m ² K)/W	0	0
Velocity (Inside)	m/s	0,37	0,20
Exchange coefficient	W/(m ² K)	42617	27243
DTML	°C		5,41

WARNING

No warnings

DIMENSIONS

Surface	m ²	0,3	
Weight	kg	4	
Channel volume	dm ³	0,6	
Height	mm	310	
Width	mm	111	
Depth	mm	42,6	
Connections	mm	1" G	1" G

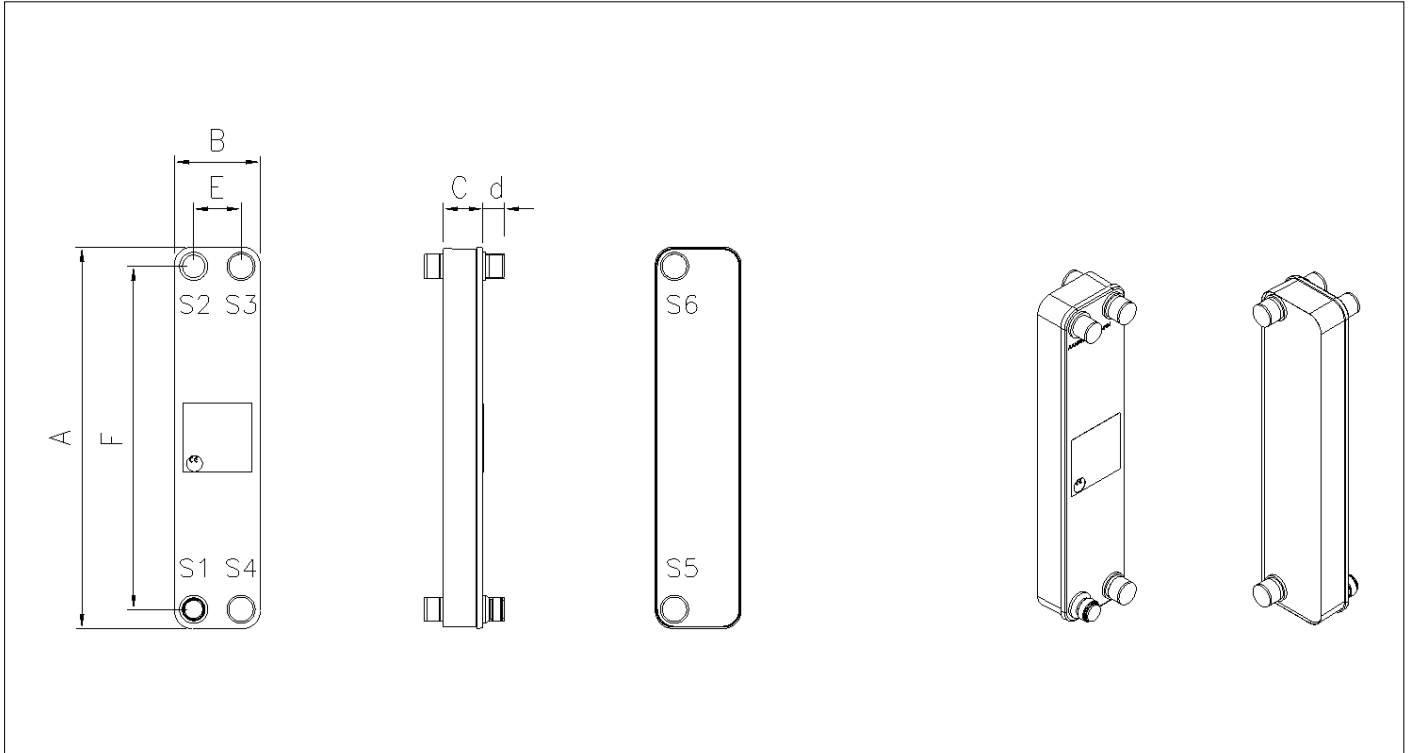
OFFER

Unit net price	Euro	
----------------	------	--

NOTES

--

DATA	17/09/2020
CUSTOMER	
REFERENCE	

DRAWING

DIMENSIONS (mm)
DATA

Dimension	Value	Label	Unit	Property	Value	Unit
A	310	S1	1" G	Surface	m ²	0,3
B	111	S2	1" G	Weight	kg	4
C	42,6	S3	1" G			
E	50	S4	1" G			
F	250	S5	1" G			
G	--	S6	1" G			
d	24	S7	--			
		S8	--			