

MCCH

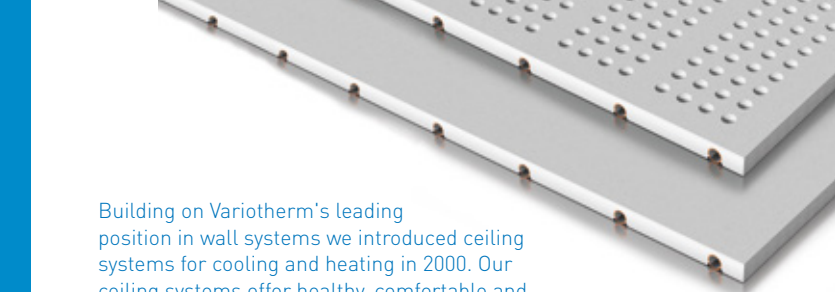
MODULAR CEILING COOLING. MODULAR CEILING HEATING.
The ModuleCeiling.



VIDEO

www.variotherm.com

VARIOTHERM



Building on Variotherm's leading position in wall systems we introduced ceiling systems for cooling and heating in 2000. Our ceiling systems offer healthy, comfortable and energy saving solutions for cooling or heating.

THE THREE. INGENIOUS. PROPERTIES.

THE COOLING CEILING

The Variotherm Modular Ceiling Cooling offers a degree of comfort that you will never want to do without once you have experienced it. In modern architecture including areas with large glass surfaces, ceiling cooling is highly desirable. Here, stylish design is combined with a pleasant temperature.

1

THE HEATED CEILING

As an alternative to wall or floor heating, Modular Ceiling Heating can contribute in an energy efficient way to creating the optimum room temperature.

2

THE SILENT CEILING

The Variotherm Modular Ceilings combine heating and cooling in one. They are completely silent when in operation. No noisy air conditioning. No more cold draughts on your neck. ModulePanels can as an option be installed with a noise absorbing acoustic surface.

3





MODULAR CEILING COOLING | MODULAR CEILING HEATING



COMFORTABLY COOL

Variotherm Module Ceiling Cooling/Heating systems create cool and healthy room environments, without forced air. In addition our systems are more energy efficient than traditional air conditioning. In homes, offices, apartment houses, schools and public buildings. With our different product types, all your architectural design requirements can be incorporated.



COMFORTABLY WARM

Thanks to the integrated cooling/heating, free ceiling areas are given a useful additional function. The ModuleCeiling constantly ensures that an optimally tempered climate is provided. The flexible panel system can be adapted to all ceiling designs and constructions.

PLEASANTLY SILENT

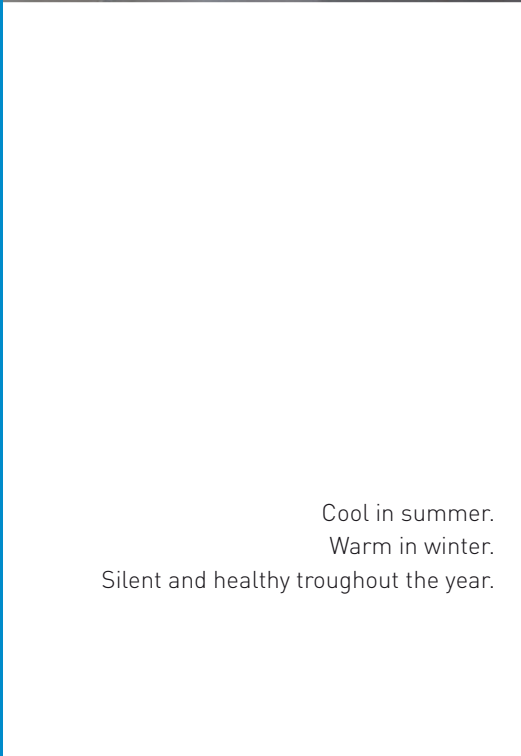
All Variotherm ModuleCeilings are silent, energy efficient and environmentally sensitive. The sound absorbing acoustic surface, which is available as an option, prevents increased stress levels through noise, and in so doing contributes to improved performance and concentration levels at the workplace.



COOL. WARM. SILENT.



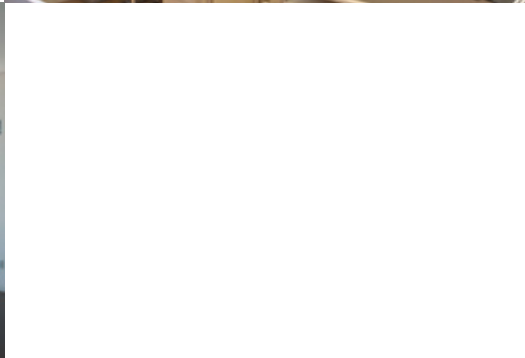
Large surface cooling and heating.
Energy efficient and environmentally friendly. Completely silent. Tested for fire resistance and certified for their biological properties.



Cool in summer.
Warm in winter.
Silent and healthy throughout the year.

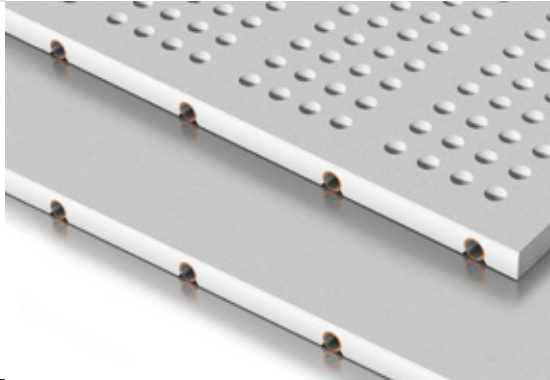


Flexible design options for all ceiling structures.

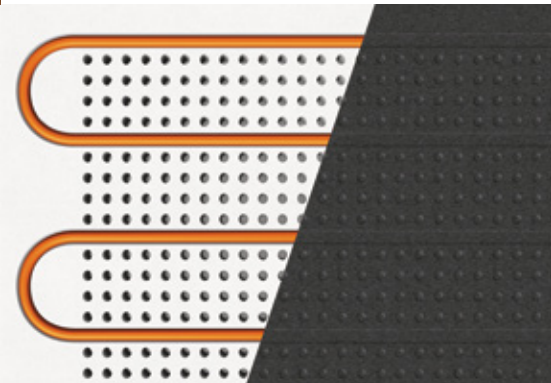




Ready to install.
The VarioModule pipe is already integrated
in the rear of the ModulePanel.



Noise insulation: The hole pattern is
covered by a special acoustic fleece.



Room thermostats from
the PIANO series guarantee simple,
fast regulation of the room temperature.



The pipe connections are 100% tight.
Once pressed, they last a lifetime.



EVERYTHING. YOU NEED.

All Variotherm heating/cooling manifolds
are fully assembled and pressure tested.



TECHNICAL PROPERTIES. TYPES. SURFACES.



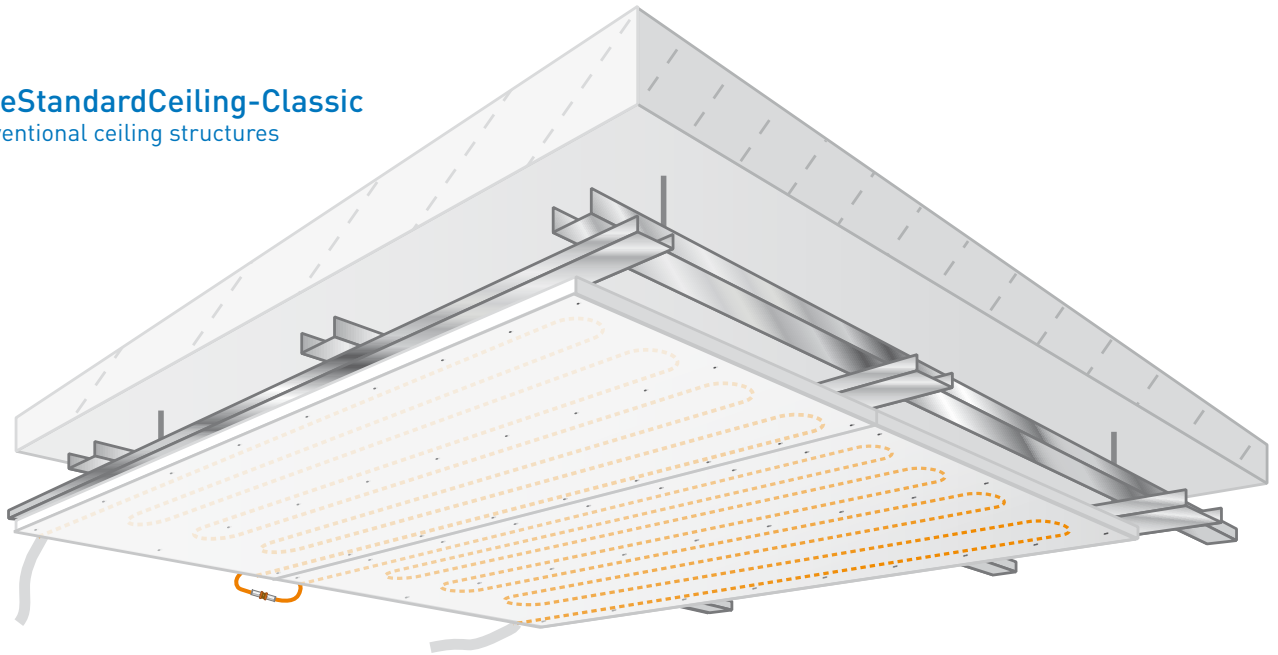
PERFECTLY MATCHING

Depending on building requirements, Variotherm offers two perfectly matching basic systems: the ModuleStandardCeilings (for conventional ceilings) and ModuleGridCeilings (for suspended ceilings). In both versions, the VarioModule pipes are already fully integrated in the rear of the gypsum fibre boards.

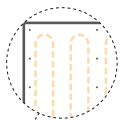
WITH AND WITHOUT ACOUSTICS

Variotherm ModulePanels are available both with a smooth surface and with a noise absorbing acoustic surface. **One special detail:** With Variotherm, the holes of the acoustic panels are not covered by cooling/heating elements. This is the only way to ensure certified, guaranteed noise reduction.

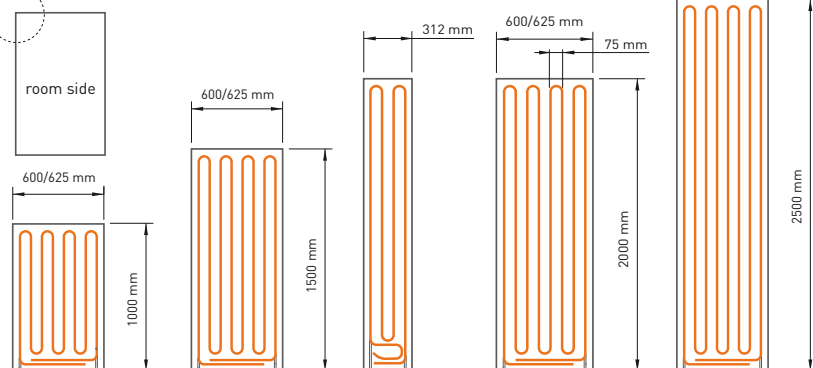
ModuleStandardCeiling-Classic For conventional ceiling structures



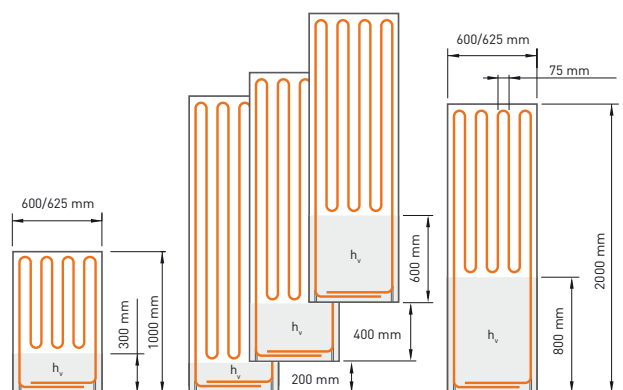
Exact screw markings



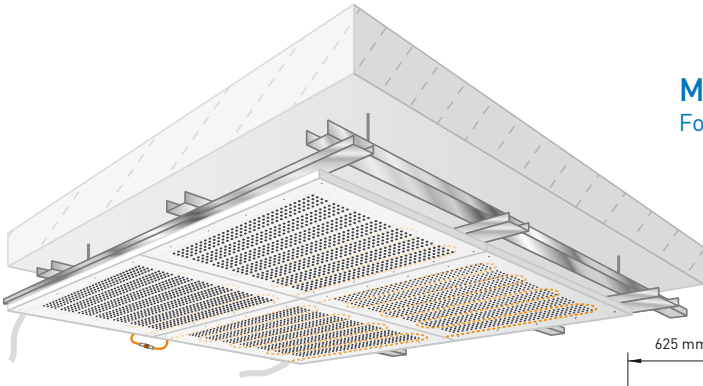
5 panels with a fixed height



5 panels with a variable height



h_v variable range: Height adjustment, sockets, etc.



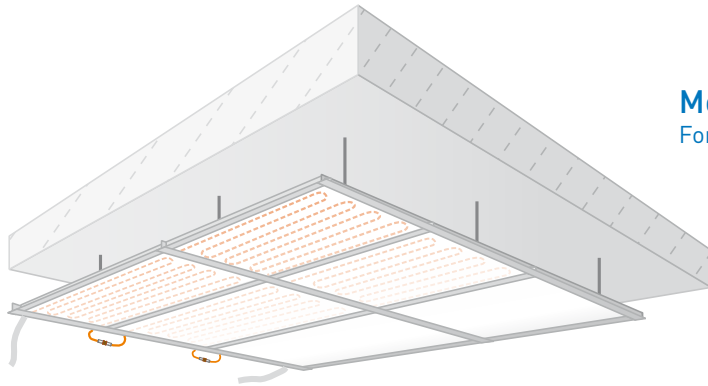
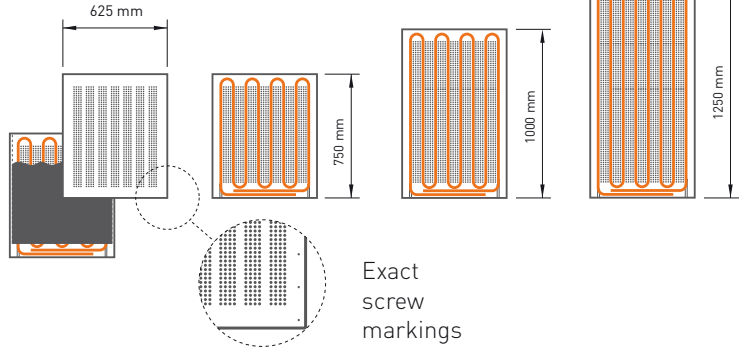
ModuleStandardCeiling-Acoustic

For conventional ceiling structures



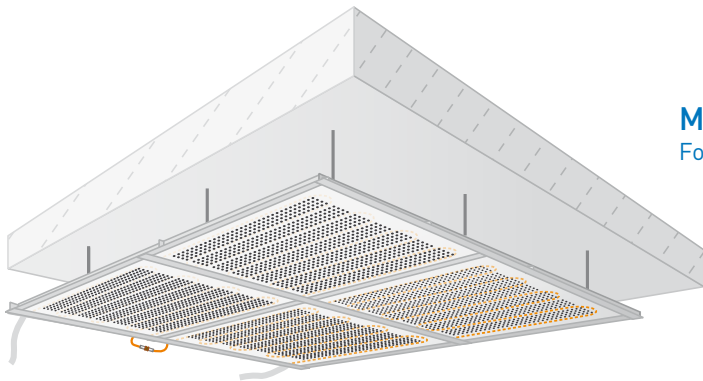
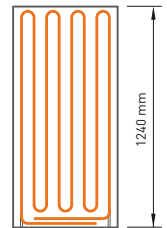
Hole sizes 4/8/10 mm

Hole area fully covered with acoustic fleece



ModuleGridCeiling-Classic

For suspended ceiling structures



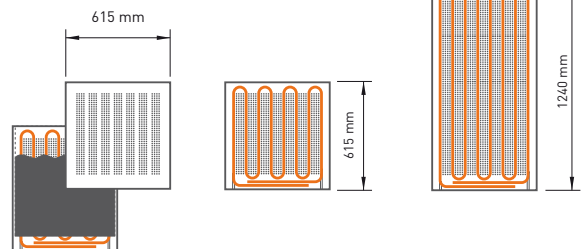
ModularGridCeiling-Acoustic

For suspended ceiling structures



Hole sizes 4/8/10 mm

Hole area fully covered with acoustic fleece

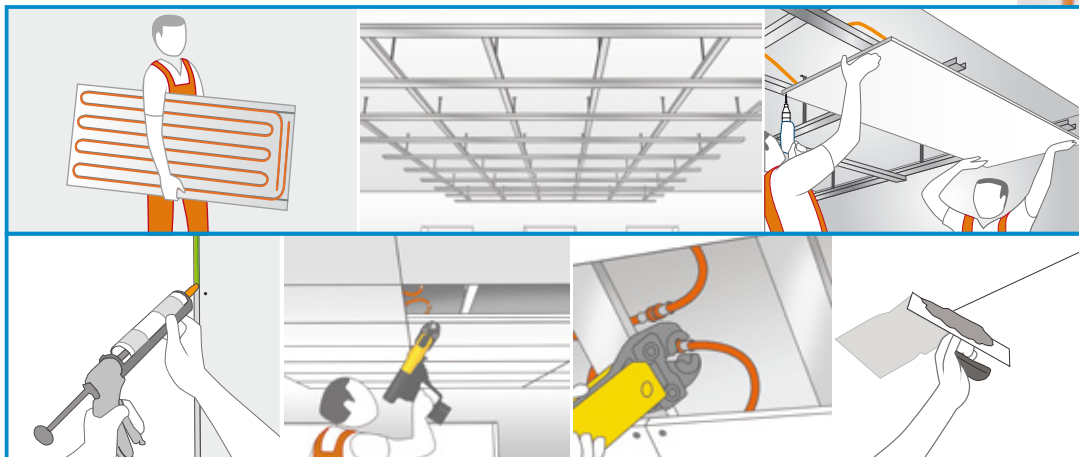


SIMPLY. QUICKLY. INSTALLED.

THE SUBSTRUCTURE

The flexible Variotherm ModulePanels are flexible and adaptable. They are very easy to install. As a substructure, both metal and wood constructions are suitable.

1



INSTALLING THE MODULEPANELS

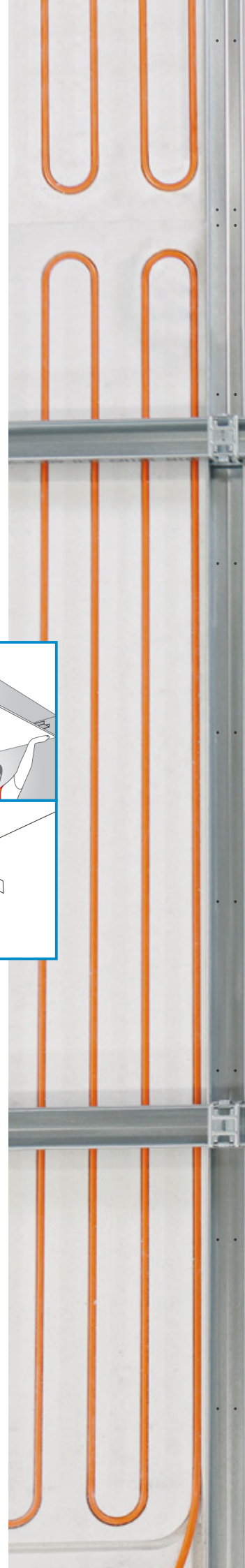
Align the panel in position. Fix through the pre-marked drill wholes. Apply joint adhesive along the edge. Fit the next panel into place and screw on. That's all there is to it.

2

FINAL INSTALLATION

Connect the VarioModule pipes securely using the press fit coupling. Connect to the cooling/heating distribution manifold with the pre-insulated VarioModule pipe. That's all there is to it! The gypsum fibre boards are then ready for plastering or painting.

3





MODULAR CEILING COOLING | MODULAR CEILING HEATING

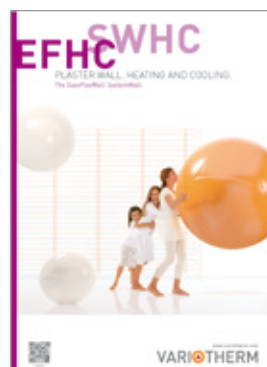
STRONG. ARGUMENTS. GUARANTEED.

- Large surface cooling and heating of ceilings
- Available with a smooth surface or sound absorbing acoustic surface
- Flexible installation system
- Low energy costs thanks to efficient low temperature systems
- Biological material
- Completely silent
- Certified fire resistance
- 10 year guarantee

ALSO AVAILABLE FROM VARIOTHERM



MODULAR WALL.
HEATING AND COOLING.



PLASTER WALL.
HEATING AND COOLING.



MODULAR.
FLOOR HEATING.
20 mm.



SCREED.
FLOOR HEATING.
SYSTEMS.

YOUR VARIOTHERM PARTNER



VARIOTHERM HEIZSYSTEME GMBH

GÜNSELSDORFER STRASSE 3a
2544 LEOBERSDORF
AUSTRIA

T: 0043 2256 648 70 0
F: 0043 2256 648 70 9

office@variotherm.com

www.variotherm.com

