

Korado Vertical Radiator Installation

Radiator set out for all vertical radiators

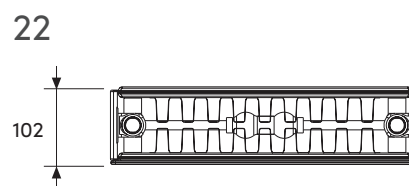
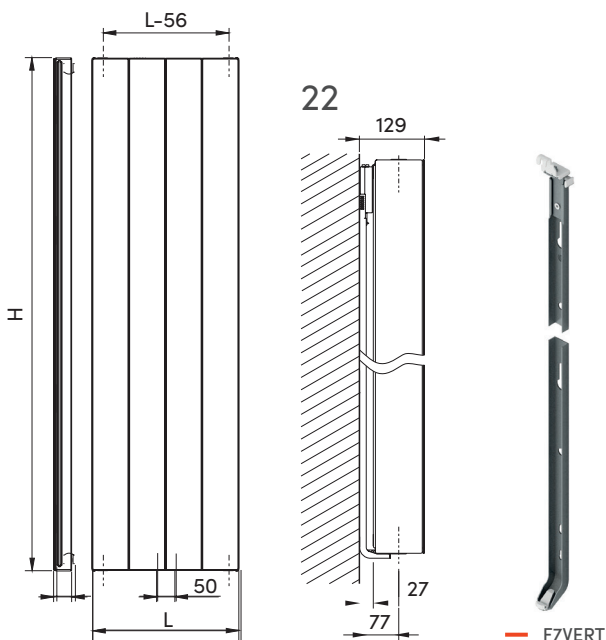
The following information is applicable to:

Models: Type 22

Heights: 1,600 and 1,800

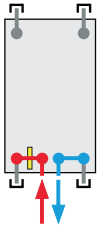
Lengths: 400 and 600

	22
Panel depth – excluding back supports	102
Panel depth from the wall to the front panel (F7VERT brackets provided as standard)	129
Distance from wall to centre of the pipe connection (F7VERT brackets provided)	77

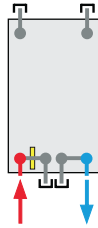


Connection Possibilities

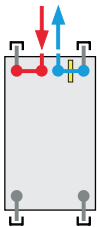
Middle Bottom Connection



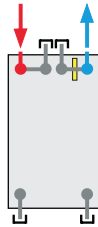
Side Bottom Connection



Middle Top Connection



Side Top Connection



Valve Connection

Discreetly conceal pipe work with this stylish radiator valve block (KRSVBSTR) or thermostatic head and valve block kit (KRAK, KRSK). 50mm pipe centres. Isolation ports. Available in Straight and Angled models.



— Korado Connection Valve Block (KRVBSTR)



— Korado Thermostatic Head & Valve Block Kit Angled (KRAK)



— Korado Thermostatic Head & Valve Block Kit Straight (KRSK)