



Rinnai

Rinnai Zen Plume Kit

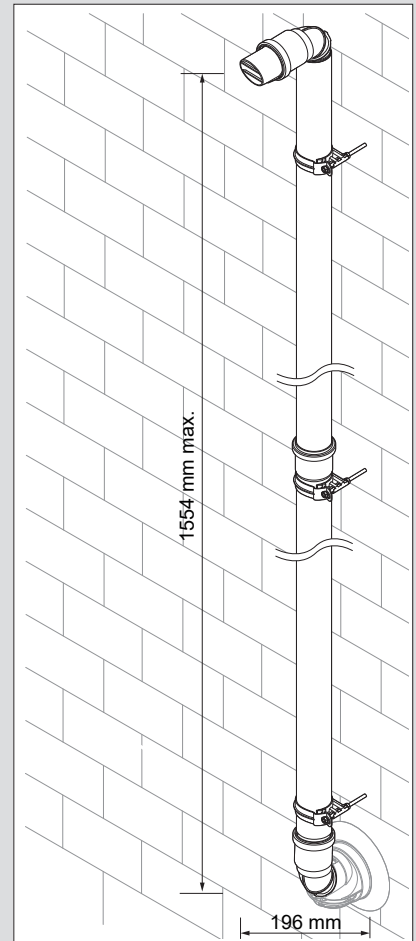
Download Zen Gas
Boiler Commissioning
Guide Here



The N56kW_i flue diverter (black UV resistant PP) is a flue accessory kit that allows you to move the flue terminal position up and away from the air intake by up to 1.5 m. It is designed for when a traditional horizontal terminal cannot be installed due to the flue being a nuisance or due to flue restrictions. It works in conjunction with the horizontal flue terminal (part FFP100HKIT).

Flue diverter kit (FFP100DIV) includes:

- elbows x 2
- connecting flue pipe 1000 mm x 1
- flue extension x 1
- wall brackets x 3 (off-centre fixing)
- fasteners not supplied



Important

The N56kW flue diverter, code FFP100DIV, is manufactured from polypropylene. It has been tested and can **ONLY BE** used with the Rinnai INFINITY N56kW water heater. The flue diverter is tested and approved for use with a maximum flue gas temperature of 120 °C.

- Flue terminal must be compliant with flue terminal locations shown in AS/NZS 5601.1.
- Kit elbows count as two bends → subtract 6 m from the total flue length (minus 3 m per bend).
- Flue should terminate in the same direction and on the same wall as the air intake.
- If you don't need to extend the full 1.5 m, you can just use the connecting pipe (1000 mm)

Installation

Remove nose section from horizontal wall terminal

1. Underneath the exhaust nose is a slot in which a flathead screwdriver can be placed.
2. Insert the screwdriver approximately 25 mm in and release the nose section.
3. Put the nose aside as this will be reinstalled with the elbow component of the diverter.



Rectangular slot underneath nose section of the wall terminal



There is a small tab in the nose section that needs to be released, this is what holds it in place.

Nose section removed

Install diverter elbows, pipe extensions, and nose

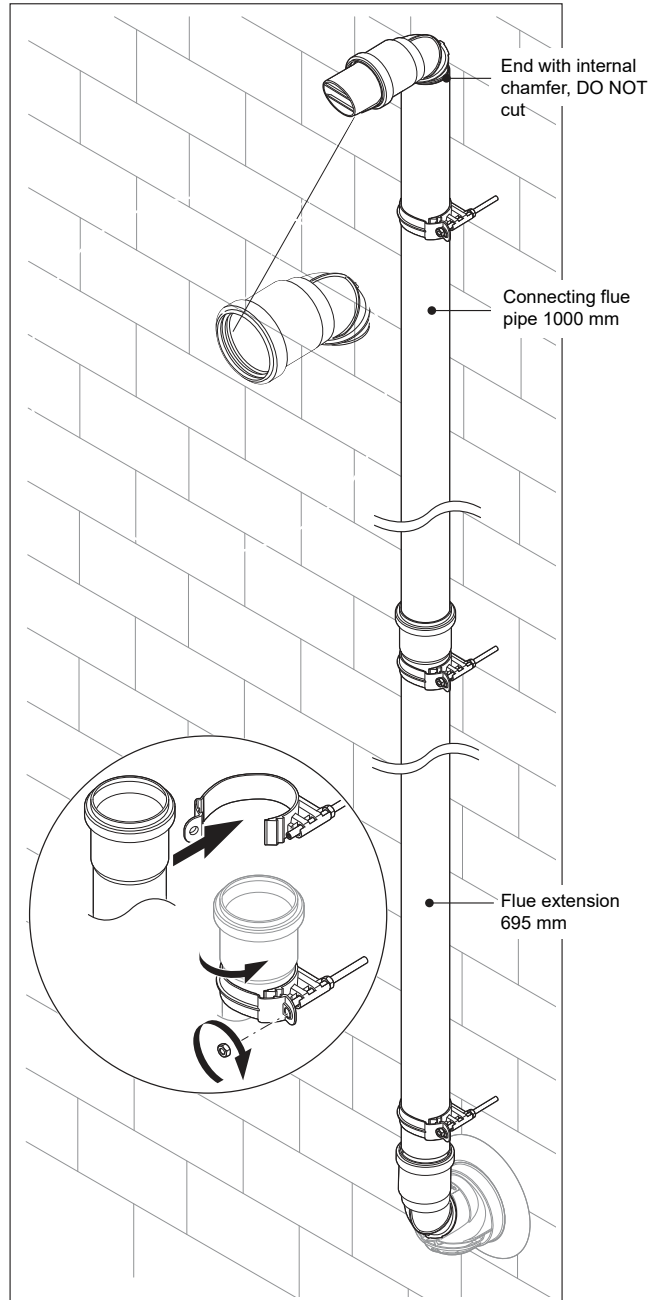
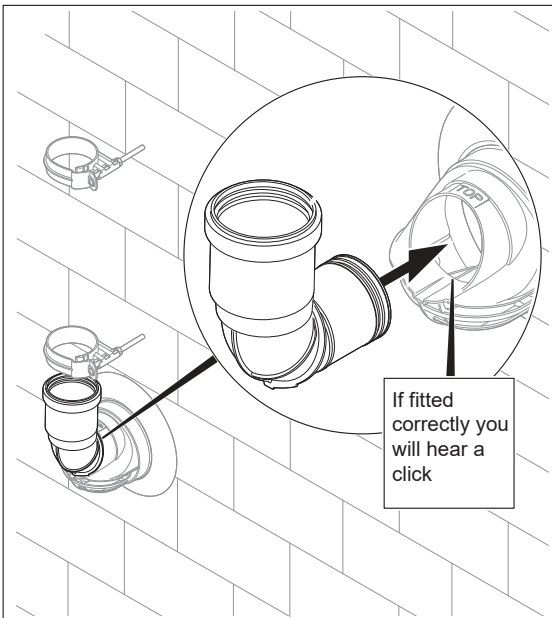
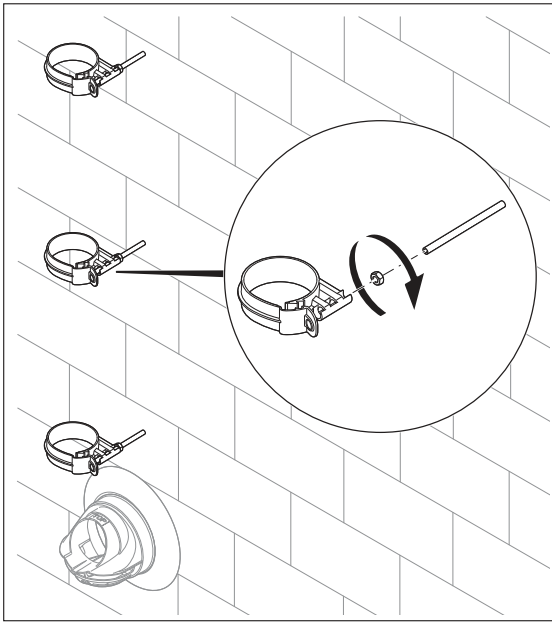
1. Place the 90 degree diverter elbow in the position where the nose terminal was removed.
2. Push the elbow into position, the correct position is reached if a click can be detected.
3. Insert the flue extension and connecting flue. If necessary these can be shortened. Fix the extensions using the three wall brackets supplied. Fixings are not supplied—these must be suitable for the wall material. The brackets have an off-centre fixing
4. Install the second elbow in the top section of the extension, pointing away from the wall. Reinstall the nose from the wall terminal in the elbow. Note the correct position of the nose, as shown in image below.



Wall bracket with off-centre fixing



Nose from the wall terminal installed inside the elbow



Shortening the pipe sections

1. Only shorten the pipe sections by cutting the end with the external chamfer. DO NOT cut the end with the internal chamfer as this is the end that connects to the elbow.
2. Cut straight.
3. Deburr sharp edges as this could damage the seals resulting in a system that is no longer air-tight.





Tel. 03 357 1233
Email: info@centralheating.co.nz

Rinnai