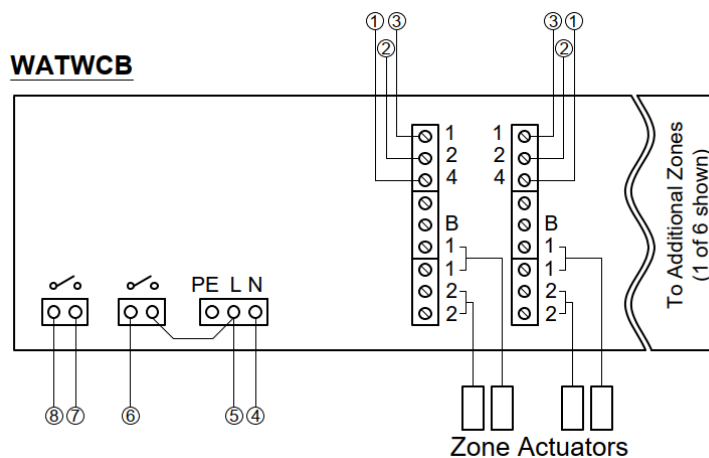
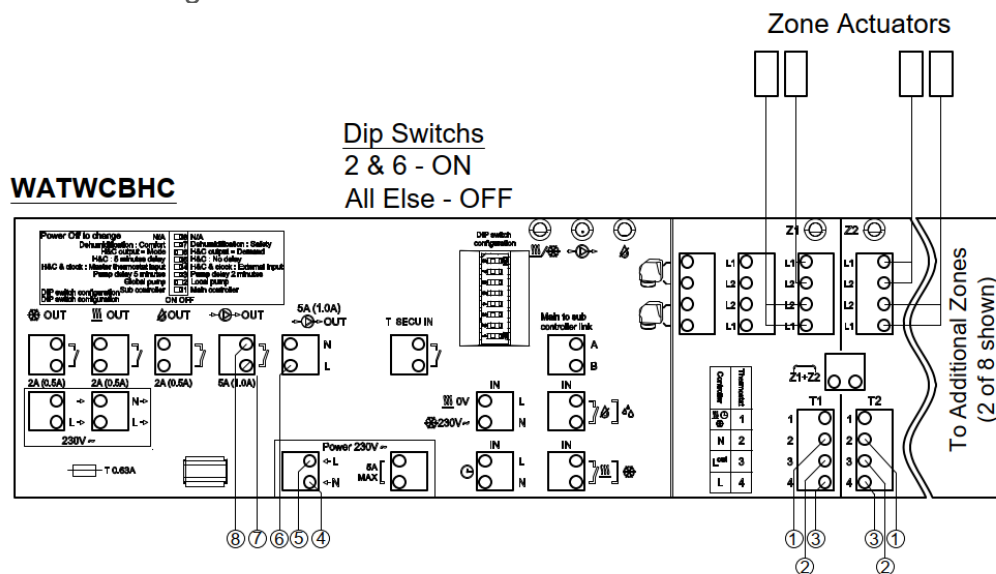


WATWCB To WATWCBHC Guide

Watts have discontinued production of the Multizone Wired control box that CHNZ have supplied as WATWCB since 2010 and have replaced this with a new range of manifold wiring centres.

CHNZ now stock the WATWCBHC which is an 8 zone wiring centre with additional functionality for controlling radiant cooling systems.

Wiring diagrams for new projects will be updated to show the wiring of these systems using the new WATWCBHC, but for current projects designed with the older version WATWCB the guide below can be used to identify the correct terminals to connect the field wiring into on the WATWCBHC:



WATWCB to WATWCBHC Terminal Key	
Ref	Description
1	Thermostat Neutral
2	Thermostat 230V Out
3	Thermostat 230V Supply
4	Wiring Centre Main Neutral
5	Wiring Centre 230V Supply
6	Pump 230V Supply
7	System On Terminal 1
8	System On Terminal 2