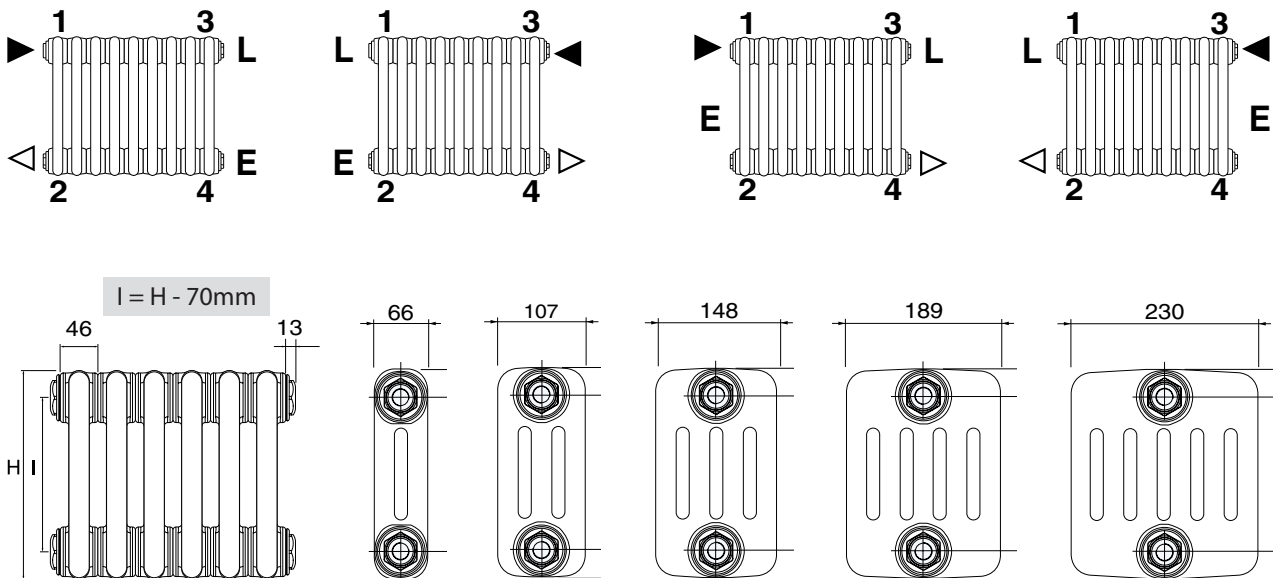
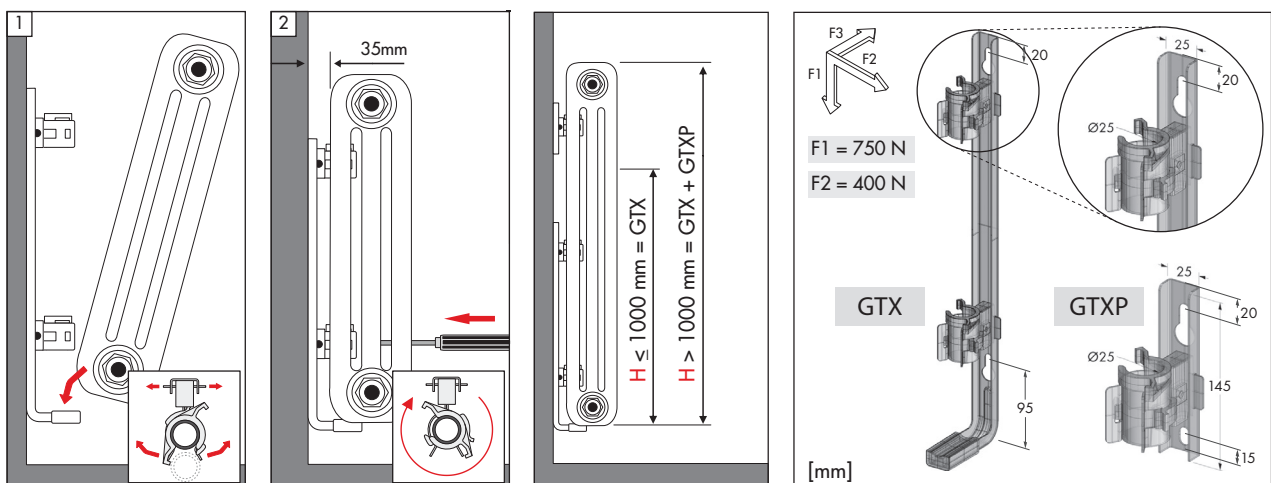


Multicolonna Radiator Installation Details

Standard 4 port Configuration



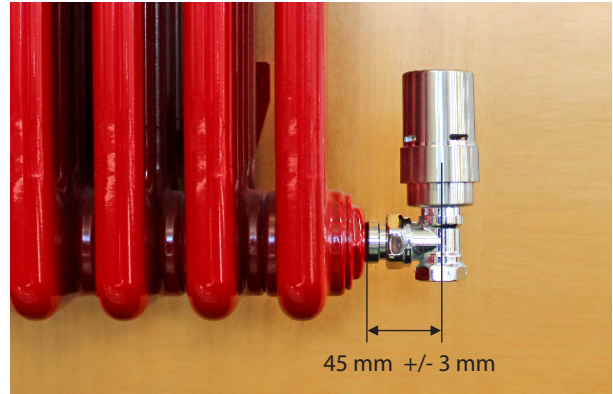
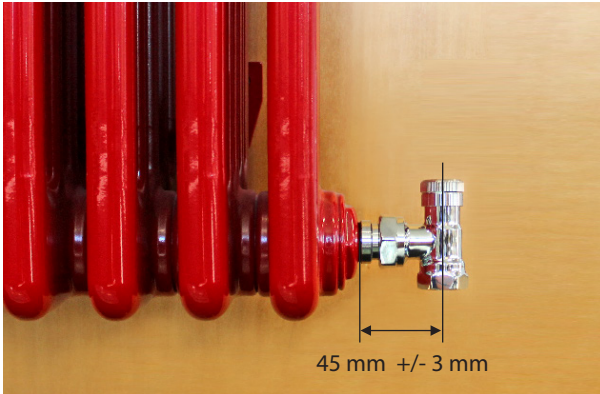
GTX WALL BRACKETS



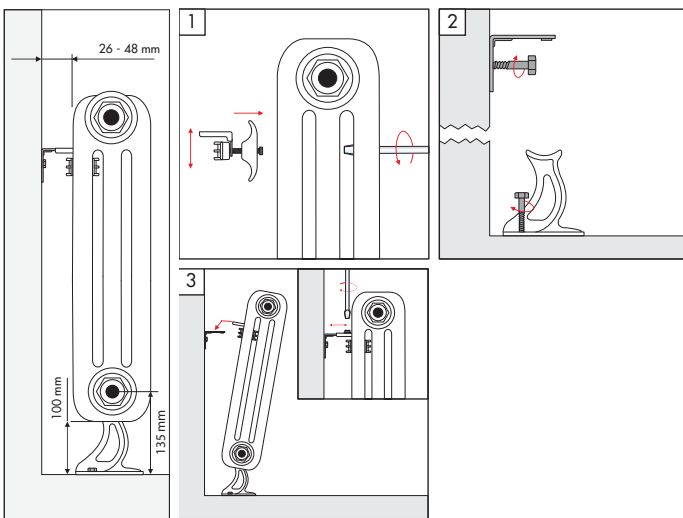
- **NB:** Remember to check the quantity of brackets required along the length of the radiator according to height & Length
- Typically begin brackets at the third column in from the end of the radiator

For pipe centres through floor (distance from wall), divide radiator width by 2 and add 35mm. Remember to deduct skirting thickness

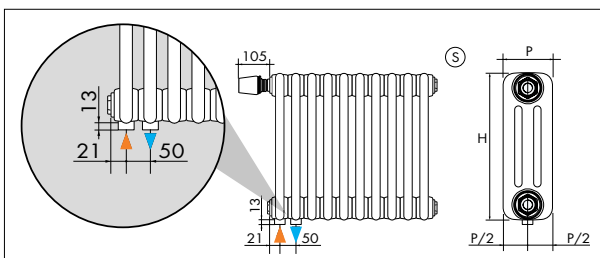
VALVE CENTRES FOR DANFOSS VALVES



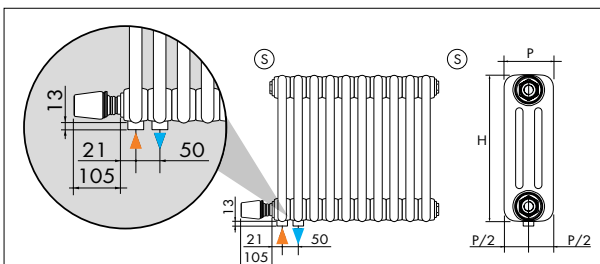
PGG FLOOR BRACKETS



Integral Valve Configuration



Version with top valve



Version with bottom valve



NB: Best Brackets with Integral Valve are GTX. PGG only suitable with Integral Valve if pipework through floor