

PRH-675 THE CHELSEA 675

The intensely decorative Chelsea model revives the 1900s.

With this intricate detailing this radiator will stand out in light and dark colours with harmonizing contrast.



Arroll®

THE CHELSEA 675

RADIATOR DIMENSIONS

Leg section height:	675mm
Middle section height:	667mm
Section length	63mm
Radiator depth:	222mm

INLET & EXIT

Bottom inlet to floor:	133mm
Top inlet to floor:	630mm
Pipe centres to skirting board:	105mm

HEAT OUTPUT PER SECTION

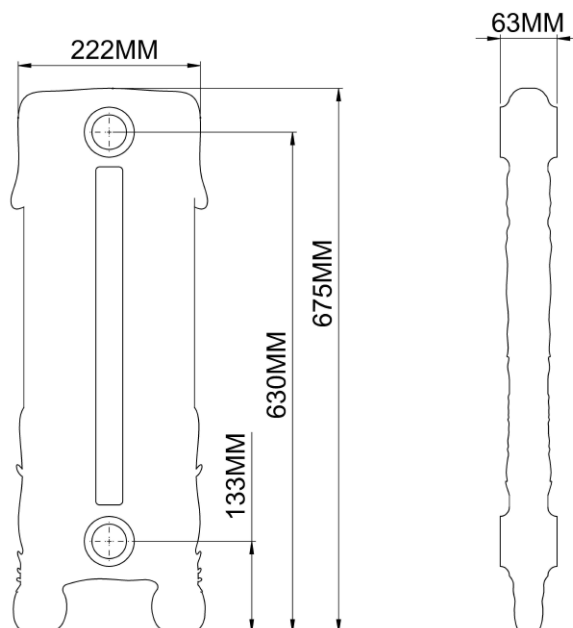
Delta ΔT 50°C	99Watts / 338BTUs
Delta ΔT 60°C:	125Watts / 426BTUs

RADIATOR WEIGHT

Empty weight per leg section:	13.10Kgs
Empty weight per middle section:	11.43Kgs
Filled weight per leg section:	14.70Kgs
Filled weight per middle section:	13.30Kgs

INTERNAL VOLUME

Leg section	1750ml
Middle section	1700ml



*All measurements and sizes are approximate.

Terms & Conditions

It is the policy of Arroll Limited to allow a 4% +/- tolerance on all measurements and sizes provided. It is not recommended that plumbers fit pipe centres prior to the arrival and fitting of the radiator. Warranty is subject to the installation of the radiator in accordance to the fitting instructions supplied. The Arroll name including its trademark is registered property of Arroll Limited, Belfast.

© Copyright 2019 Arroll Limited

PRH-675 THE CHELSEA 675