

PRC 597/2 THE DAISY 597
PRC 795/2 THE DAISY 795

Also available in different sizes, the Daisy is a beautiful radiator with a highly decorative design and the perfect choice for an elegant, ornate look.



Arroll®

DAISY 597

RADIATOR DIMENSIONS

Leg section height:	597mm
Middle section height:	540mm
Section length	65mm
Radiator depth:	175mm

INLET & EXIT

Bottom inlet to floor:	110mm
Top inlet to floor:	510mm
Pipe centres to skirting board:	85mm

HEAT OUTPUT PER SECTION

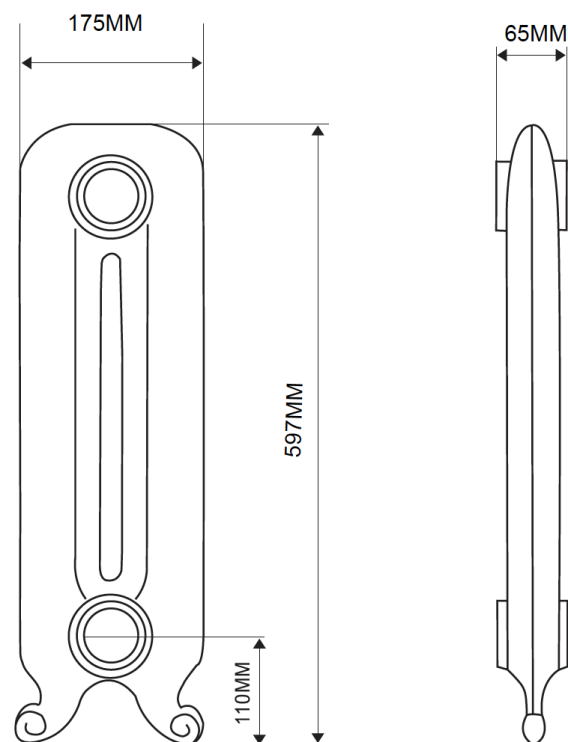
Delta ΔT 50°C:	76Watts / 259BTUs
Delta ΔT 60°C:	95Watts / 327BTUs

RADIATOR WEIGHT

Empty weight per leg section:	8.36Kgs
Empty weight per middle section:	7.31Kgs
Filled weight per leg section:	10.78Kgs
Filled weight per middle section:	9.65Kgs

INTERNAL VOLUME

Leg section	2000ml
Middle section	2050ml



PRC 590/2 - PRC 790/2 THE DAISY 597 & 795

*All measurements and sizes are approximate.

Terms & Conditions

It is the policy of Arroll Limited to allow a 4% +/- tolerance on all measurements and sizes provided. It is not recommended that plumbers fit pipe centres prior to the arrival and fitting of the radiator. Warranty is subject to the installation of the radiator in accordance to the fitting instructions supplied. The Arroll name including its trademark is registered property of Arroll Limited, Belfast.

PRC 597/2 THE DAISY 597
PRC 795/2 THE DAISY 795



Arroll®

DAISY 795

RADIATOR DIMENSIONS

Leg section height:	795mm
Middle section height:	735mm
Section length	65mm
Radiator depth:	175mm

INLET & EXIT

Bottom inlet to floor:	110mm
Top inlet to floor:	710mm
Pipe centres to skirting board:	90mm

HEAT OUTPUT PER SECTION

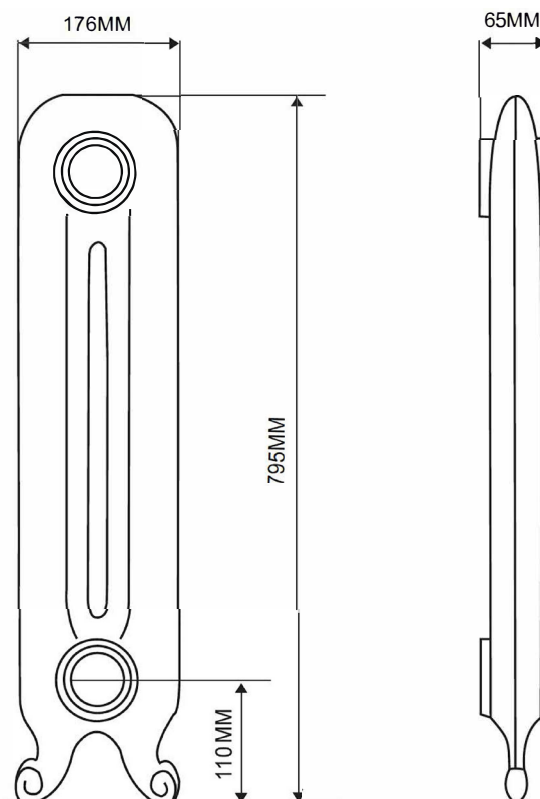
Delta ΔT 50°C:	104Watts / 355BTUs
Delta ΔT 60°C:	130Watts / 448BTUs

RADIATOR WEIGHT

Empty weight per leg section:	10.39Kgs
Empty weight per middle section:	9.25Kgs
Filled weight per leg section:	13.49Kgs
Filled weight per middle section:	12.34Kgs

INTERNAL VOLUME

Leg section	2800ml
Middle section	2700ml



*All measurements and sizes are approximate.

Terms & Conditions

It is the policy of Arroll Limited to allow a 4% +/- tolerance on all measurements and sizes provided. It is not recommended that plumbers fit pipe centres prior to the arrival and fitting of the radiator. Warranty is subject to the installation of the radiator in accordance to the fitting instructions supplied. The Arroll name including its trademark is registered property of Arroll Limited, Belfast.