

RA 475/3 THE MONTMARTRE 475

RA 763/3 THE MONTMARTRE 768

A charming and intricate design, the Montmartre radiator uses elaborate French rococo scrolling on each section. One of the most popular in our collection, this traditionally styled radiator comes in two sizes.



Arroll®

MONTMARTRE 475

RADIATOR DIMENSIONS

Leg section height:	475mm
Middle section height:	420mm
Section length	80mm
Radiator depth:	257mm

INLET & EXIT

Bottom inlet to floor:	115mm
Top inlet to floor:	415mm
Pipe centres to skirting board:	130mm

HEAT OUTPUT PER SECTION

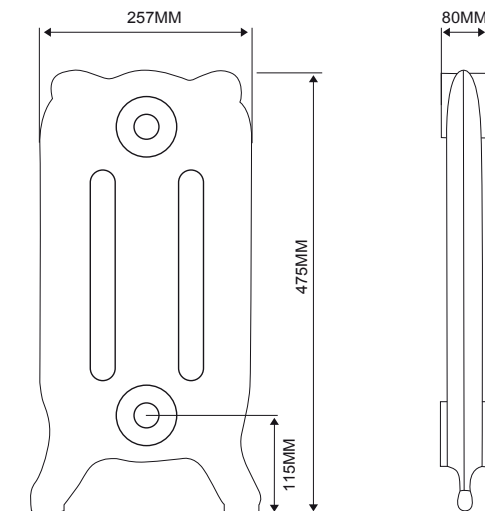
Delta ΔT 50°C:	90Watts / 307BTUs
Delta ΔT 60°C:	113Watts / 388BTUs

RADIATOR WEIGHT

Empty weight per leg section:	8.78Kgs
Empty weight per middle section:	7.71Kgs
Filled weight per leg section:	11.20gs
Filled weight per middle section:	10.15Kgs

INTERNAL VOLUME

Leg section	2100ml
Middle section	2100ml



*All measurements and sizes are approximate.

Terms & Conditions

It is the policy of Arroll Limited to allow a 4% +/- tolerance on all measurements and sizes provided. It is not recommended that plumbers fit pipe centres prior to the arrival and fitting of the radiator. Warranty is subject to the installation of the radiator in accordance to the fitting instructions supplied. The Arroll name including its trademark is registered property of Arroll Limited, Belfast.

© Copyright 2019 Arroll Limited

RA 475/3 - RA 763/3 THE MONTMARTRE 475 & 763

RA 475/3 THE MONTMARTRE 475
RA 763/3 THE MONTMARTRE 763



Arroll®

MONTMARTRE 763

RADIATOR DIMENSIONS

Leg section height:	763mm
Middle section height:	707mm
Section length	79mm
Radiator depth:	248mm

INLET & EXIT

Bottom inlet to floor:	108mm
Top inlet to floor:	705mm
Pipe centres to skirting board:	123mm

HEAT OUTPUT PER SECTION

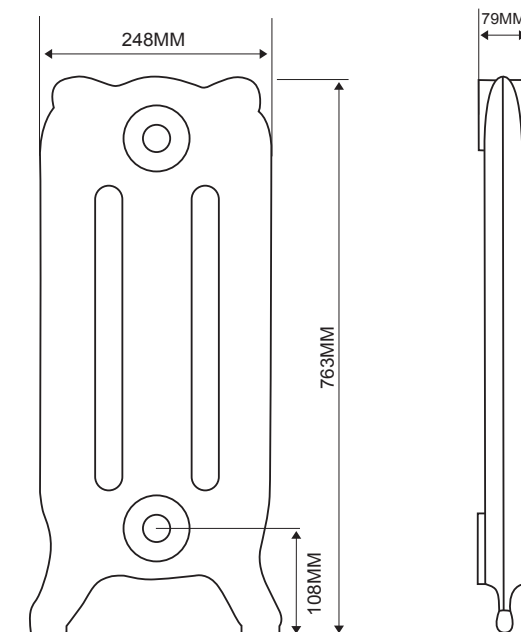
Delta ΔT 50°C:	114Watts / 491BTUs
Delta ΔT 60°C:	181Watts / 620BTUs

RADIATOR WEIGHT

Empty weight per leg section:	14.80Kgs
Empty weight per middle section:	12.40Kgs
Filled weight per leg section:	16.65Kgs
Filled weight per middle section:	15.07Kgs

INTERNAL VOLUME

Leg section	2200ml
Middle section	2250ml



RA 475/3 - RA 763/3 THE MONTMARTRE 475 & 763

*All measurements and sizes are approximate.

Terms & Conditions

It is the policy of Arroll Limited to allow a 4% +/- tolerance on all measurements and sizes provided. It is not recommended that plumbers fit pipe centres prior to the arrival and fitting of the radiator. Warranty is subject to the instillation of the radiator in accordance to the fitting instructions supplied. The Arroll name including its trademark is registered property of Arroll Limited, Belfast.