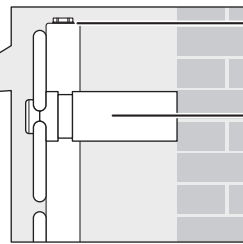
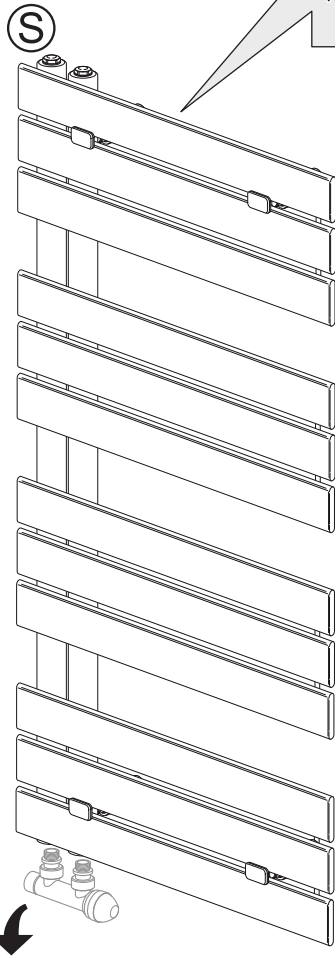
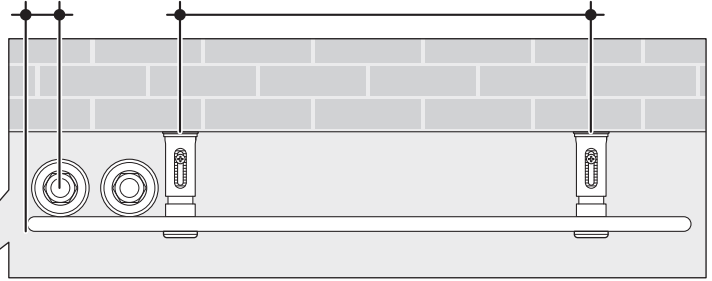
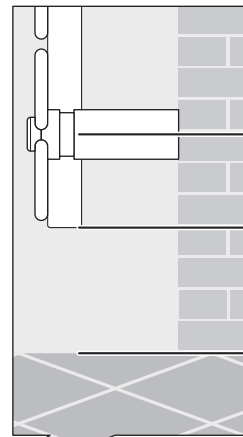


25 mm L - 260 mm

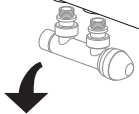


78 mm



78 mm

min 150 mm

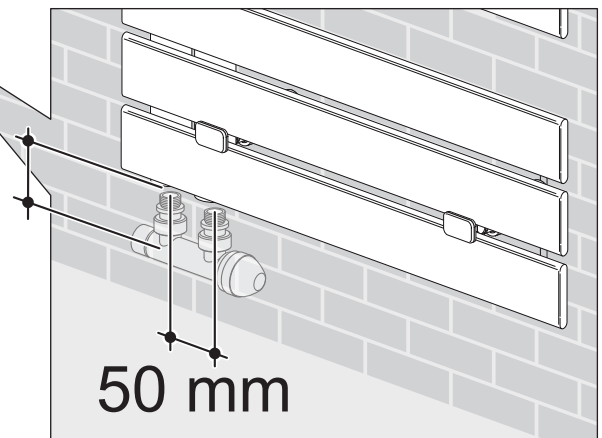


Accessories (not included in the packaging)

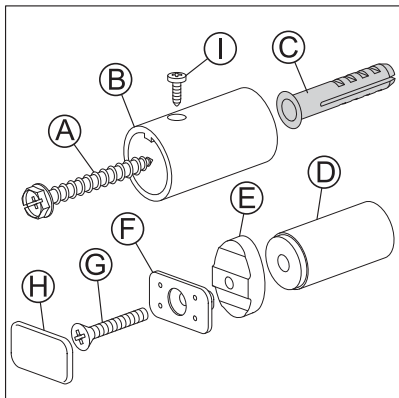
Valve set for central connections white, 90°, center 50 mm code 5567011000

On request:  
white thermostatic head, connections for copper tubes

35 mm

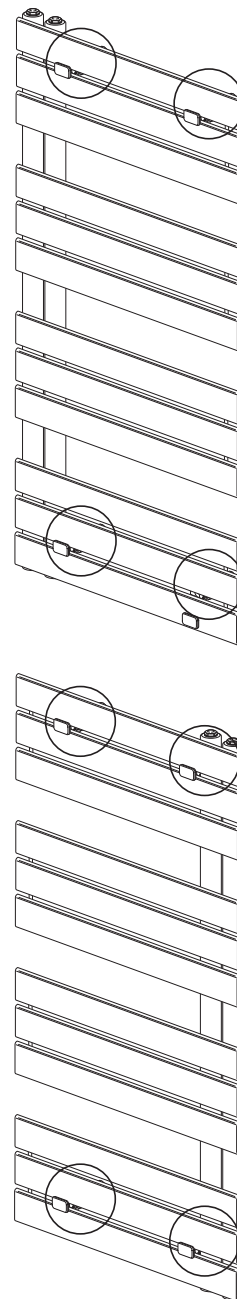
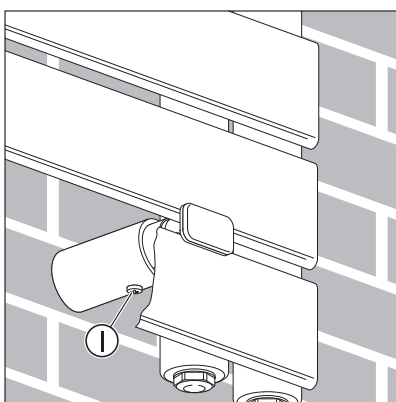
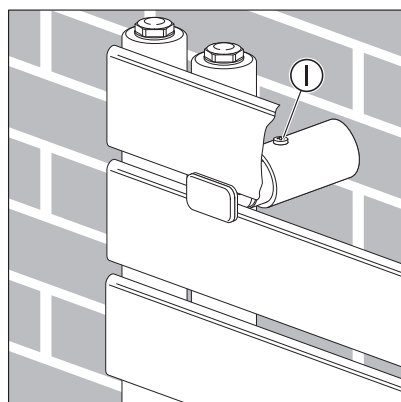
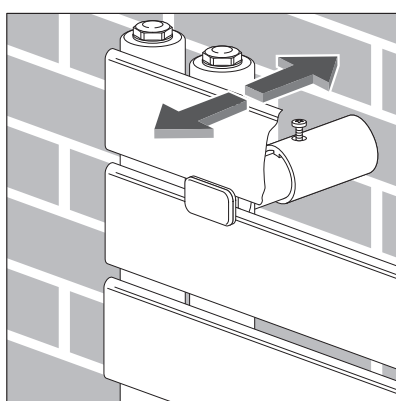
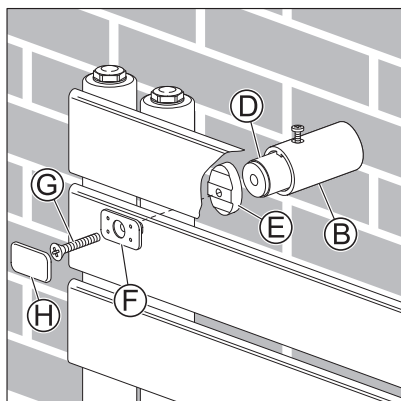
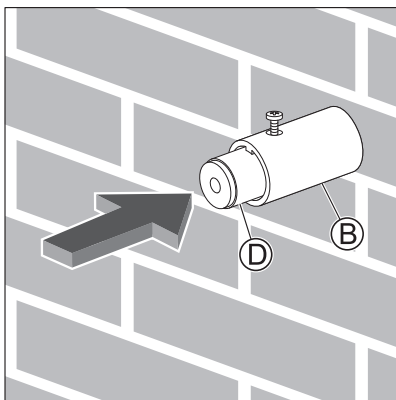
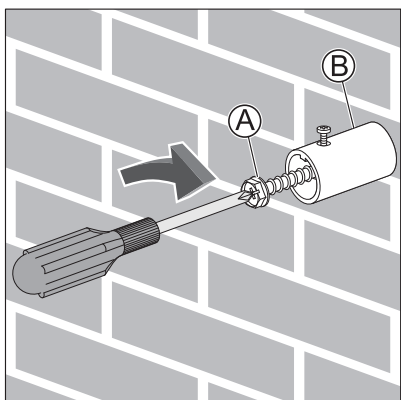
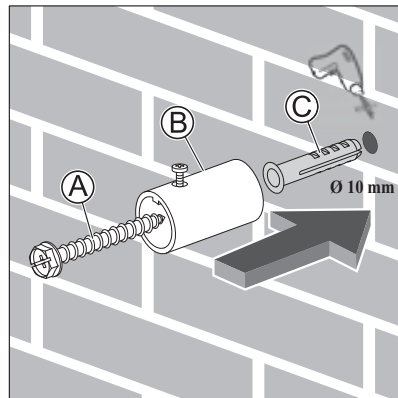


50 mm



Contenuto - Contenu de l'emballage  
 The pack contains  
 Contenido del envase  
 Contido  
 Inhalt

(A, B, C, D, E, F, G, H, I) x 4



## Installation and use - prescription

To safeguard your radiator and your heating system we strongly recommend to:

- Not install the radiator in very humid and/or chemically aggressive environments, such as pools, showers, saunas, public toilets, etc.
- Carefully wash the heating system after the installation to remove dirt, mud, welding residues and any other possible source of damage or blockage
- Perform the chemical treatments requested by the law and the standard installation practice. Important: avoid any product possibly harming the silicon gaskets used in the radiator and/or in the caps.
- The heating system must be filled with open valves and taking care to increase the pressure gradually, avoiding sudden pressure jumps. The working pressure must be equal or less than the maximum allowed working pressure for each model.
- Do not connect the radiator either to the sanitary system or to systems with open expansion vessel.
- Empty the heating system if the room temperature might go below the freezing point.
- Remove periodically the air from the radiator by means of the air vent (bleeding valve).
- To clean, just wipe with a soft damp cloth and neutral detergent. Never use abrasive or corrosive cleaning products or solvents.