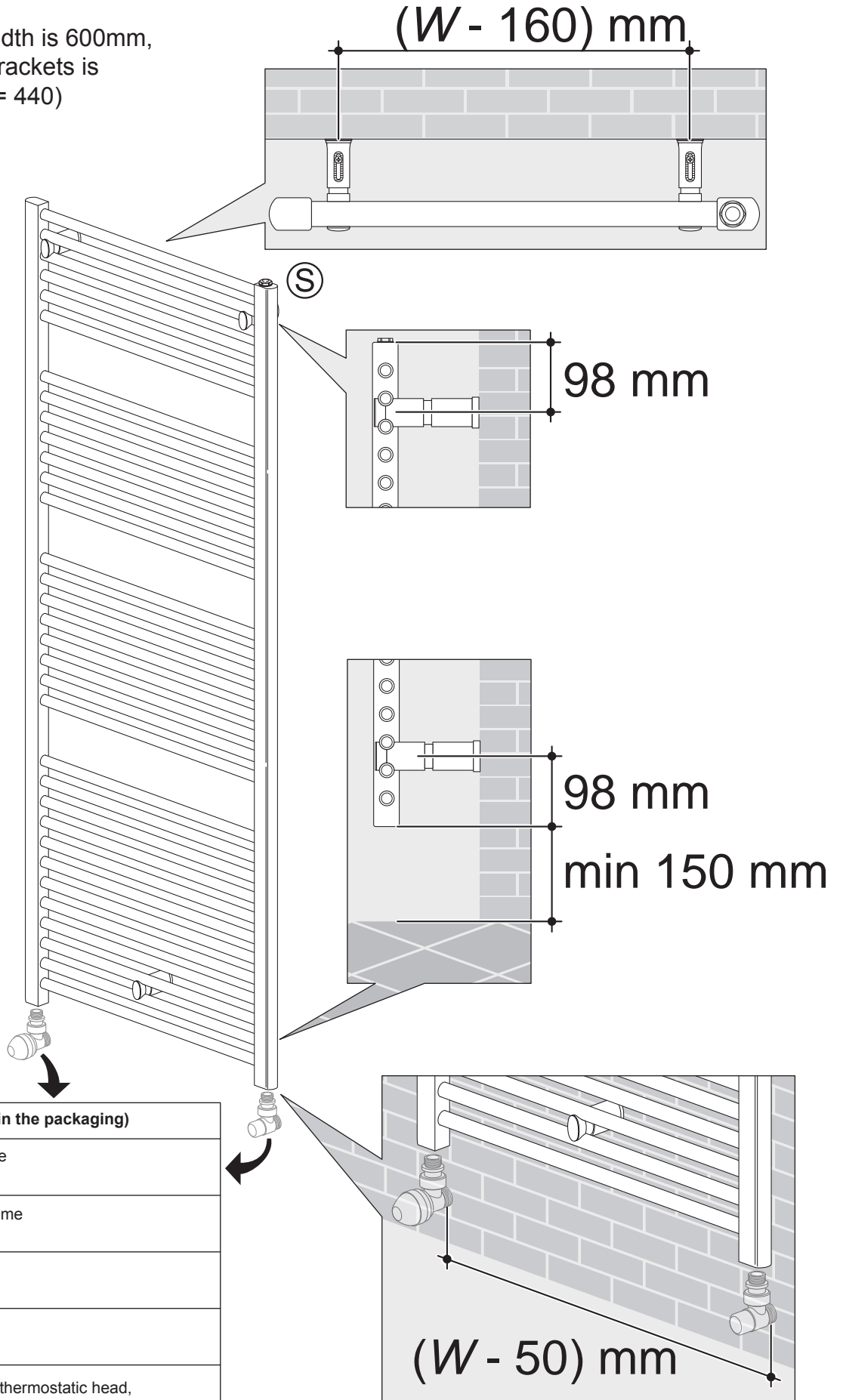
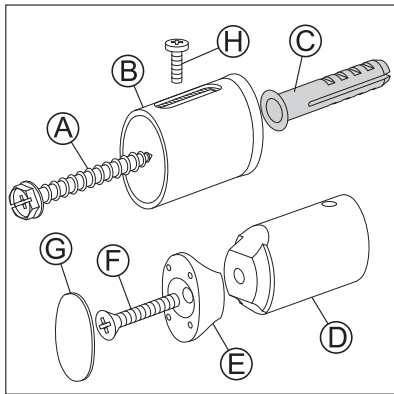


W = Width of Towel Rail

E.g: If Towel Rail width is 600mm,
distance between brackets is
440mm (600 - 160 = 440)

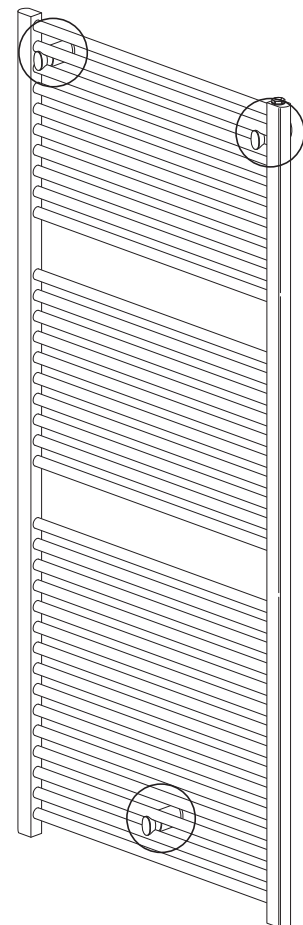
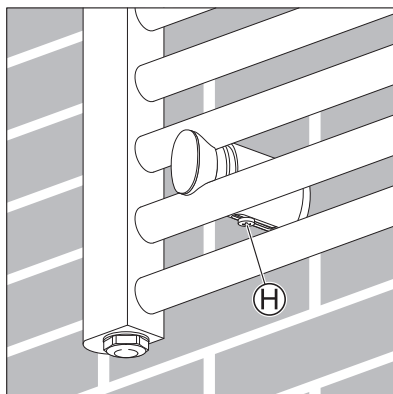
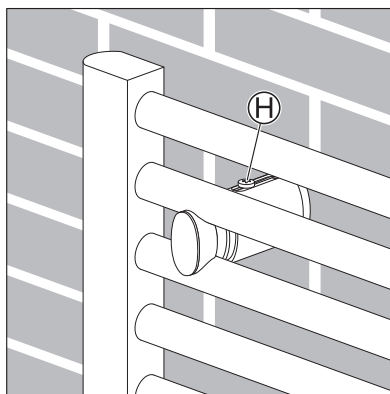
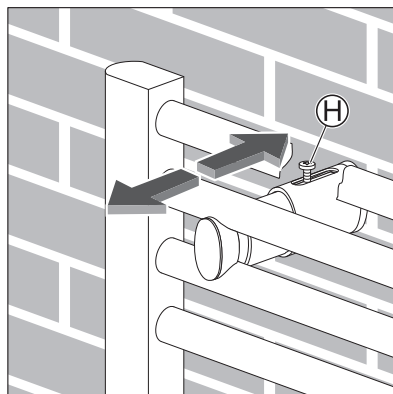
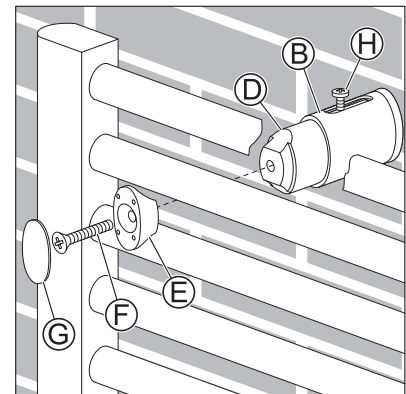
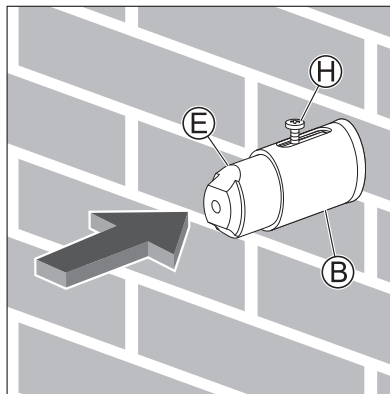
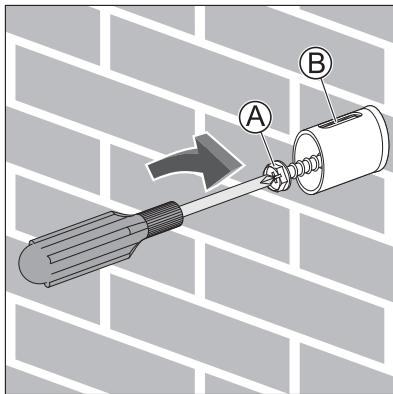
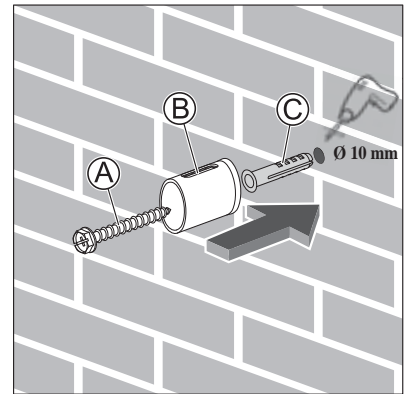


Accessories (not included in the packaging)
Thermostatic valve, 90°, white code 5567011100
Thermostatic valve, 90°, chrome code 5567009900
Drain-off valve, 90°, white code 5567011200
Drain-off valve, 90°, chrome code 5567010000
On request: white or chrome thermostatic head, connections for copper tubes



Contenuto - Contenu de l'emballage
 The pack contains
 Contenido del envase
 Contido
 Inhalt

(A, B, C, D, E, F, G, H, I) x 3



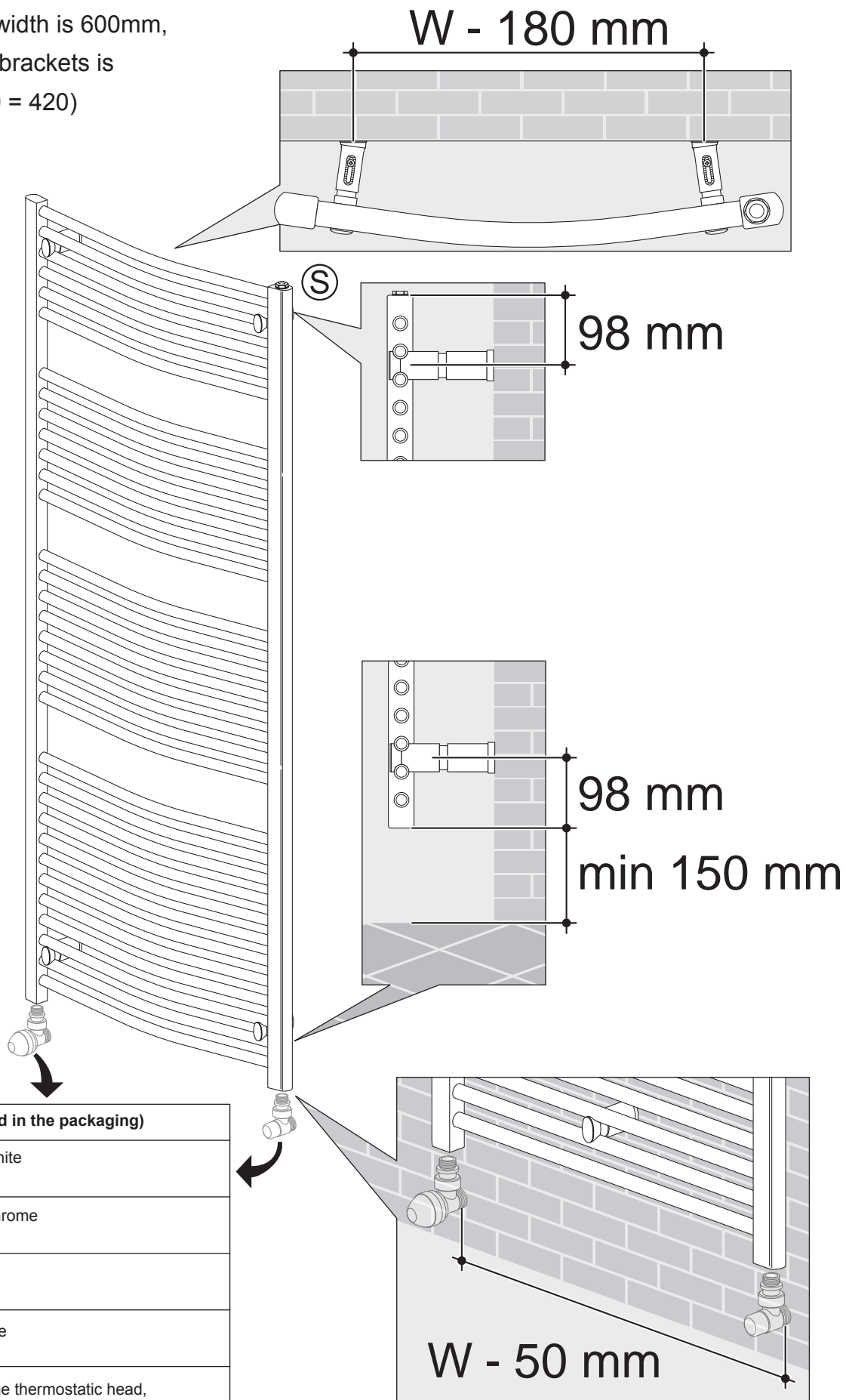
Installation and use - prescription

To safeguard your radiator and your heating system we strongly recommend to:

- Not install the radiator in very humid and/or chemically aggressive environments, such as pools, showers, saunas, public toilets, etc.
- Carefully wash the heating system after the installation to remove dirt, mud, welding residues and any other possible source of damage or blockage
- Perform the chemical treatments requested by the law and the standard installation practice. Important: avoid any product possibly harming the silicon gaskets used in the radiator and/or in the caps.
- The heating system must be filled with open valves and taking care to increase the pressure gradually, avoiding sudden pressure jumps. The working pressure must be equal or less than the maximum allowed working pressure for each model.
- Do not connect the radiator either to the sanitary system or to systems with open expansion vessel.
- Empty the heating system if the room temperature might go below the freezing point.
- Remove periodically the air from the radiator by means of the air vent (bleeding valve).
- To clean, just wipe with a soft damp cloth and neutral detergent. Never use abrasive or corrosive cleaning products or solvents.

W = Width of Towel Rail

E.g: If Towel Rail width is 600mm,
distance between brackets is
420mm (600 - 180 = 420)



Accessories (not included in the packaging)

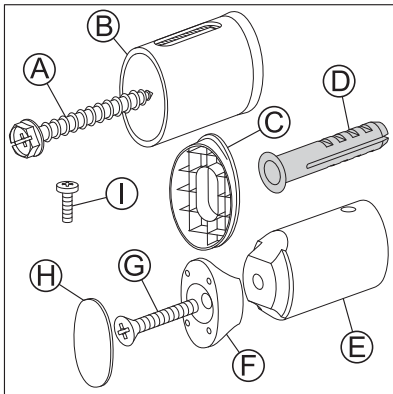
Thermostatic valve, 90°, white
code 5567011100

Thermostatic valve, 90°, chrome
code 5567009900

Drain-off valve, 90°, white
code 5567011200

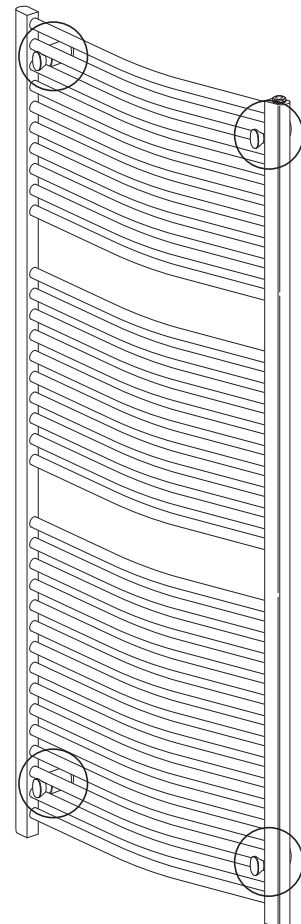
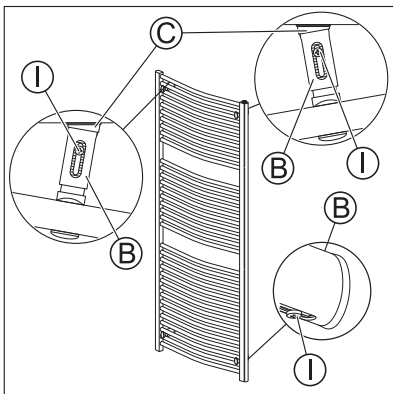
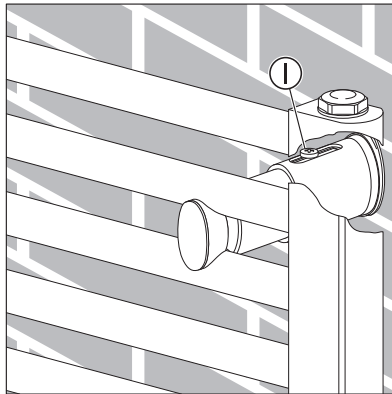
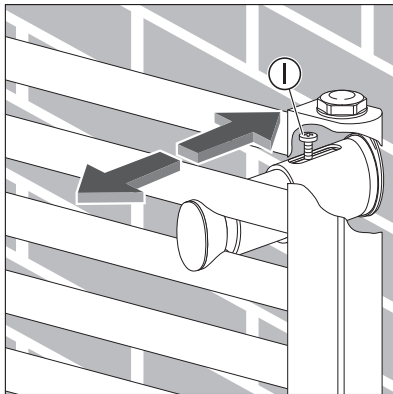
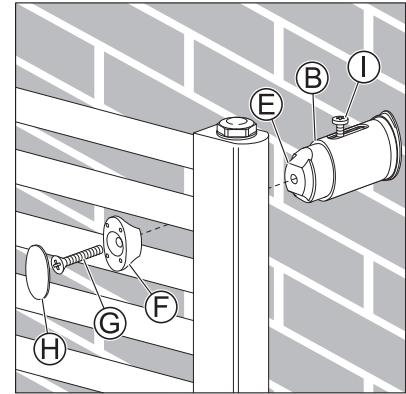
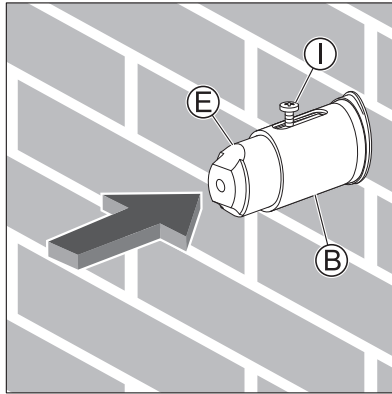
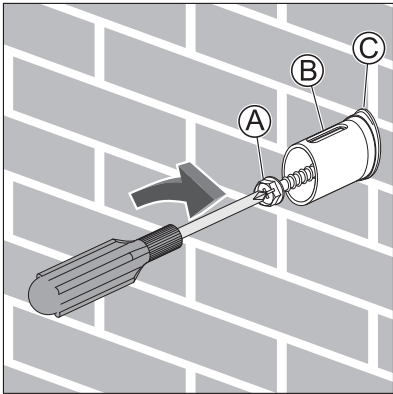
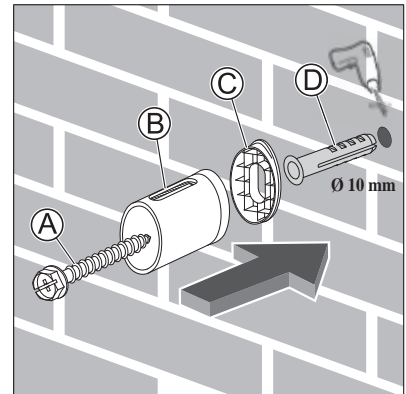
Drain-off valve, 90°, chrome
code 5567010000

On request: white or chrome thermostatic head,
connections for copper tubes



Contenido - Contenu de l'emballage
The pack contains
Contenido del envase
Inhalt

(A, B, C, D, E, F, G, H, I) x 4



Installation and use - prescription

To safeguard your radiator and your heating system we strongly recommend to:

- Not install the radiator in very humid and/or chemically aggressive environments, such as pools, showers, saunas, public toilets, etc.
- Carefully wash the heating system after the installation to remove dirt, mud, welding residues and any other possible source of damage or blockage
- Perform the chemical treatments requested by the law and the standard installation practice. Important: avoid any product possibly harming the silicon gaskets used in the radiator and/or in the caps.
- The heating system must be filled with open valves and taking care to increase the pressure gradually, avoiding sudden pressure jumps. The working pressure must be equal or less than the maximum allowed working pressure for each model.
- Do not connect the radiator either to the sanitary system or to systems with open expansion vessel.
- Empty the heating system if the room temperature might go below the freezing point.
- Remove periodically the air from the radiator by means of the air vent (bleeding valve).
- To clean, just wipe with a soft damp cloth and neutral detergent. Never use abrasive or corrosive cleaning products or solvents.